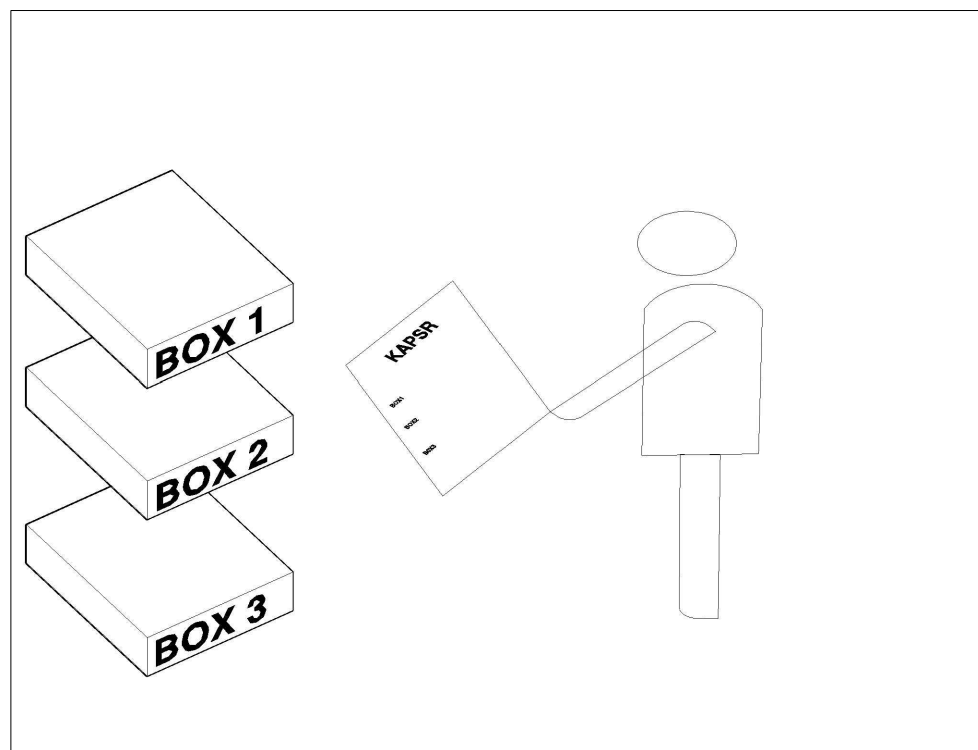
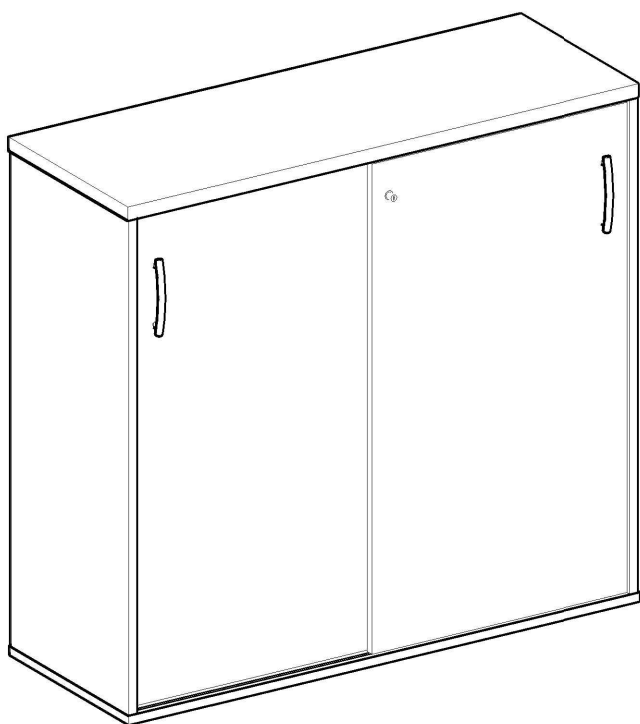
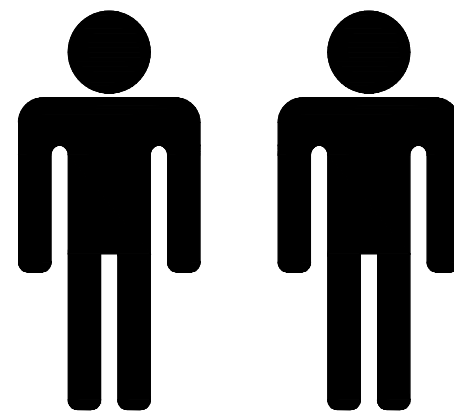
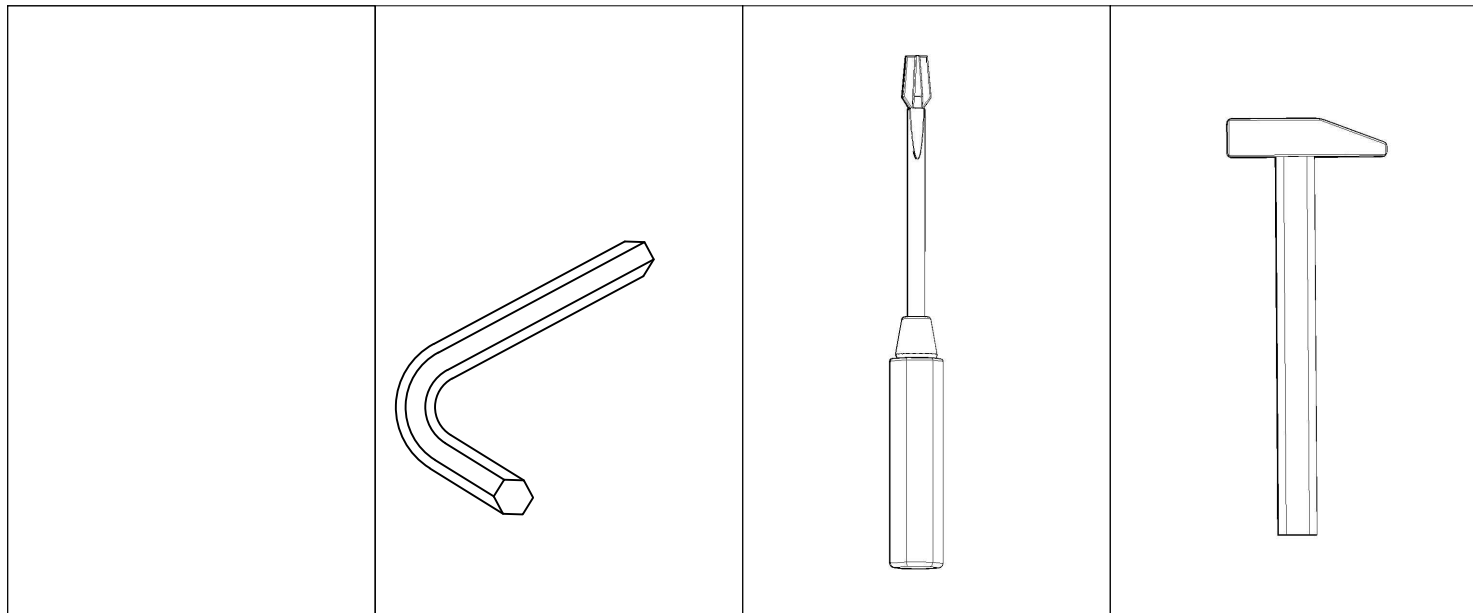
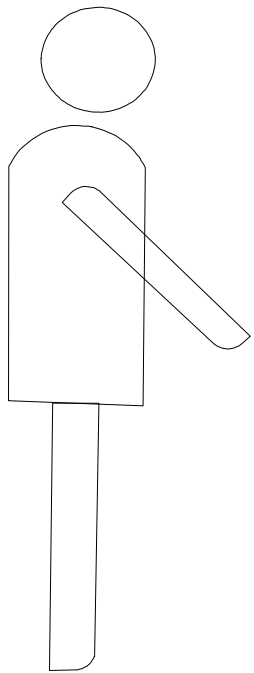


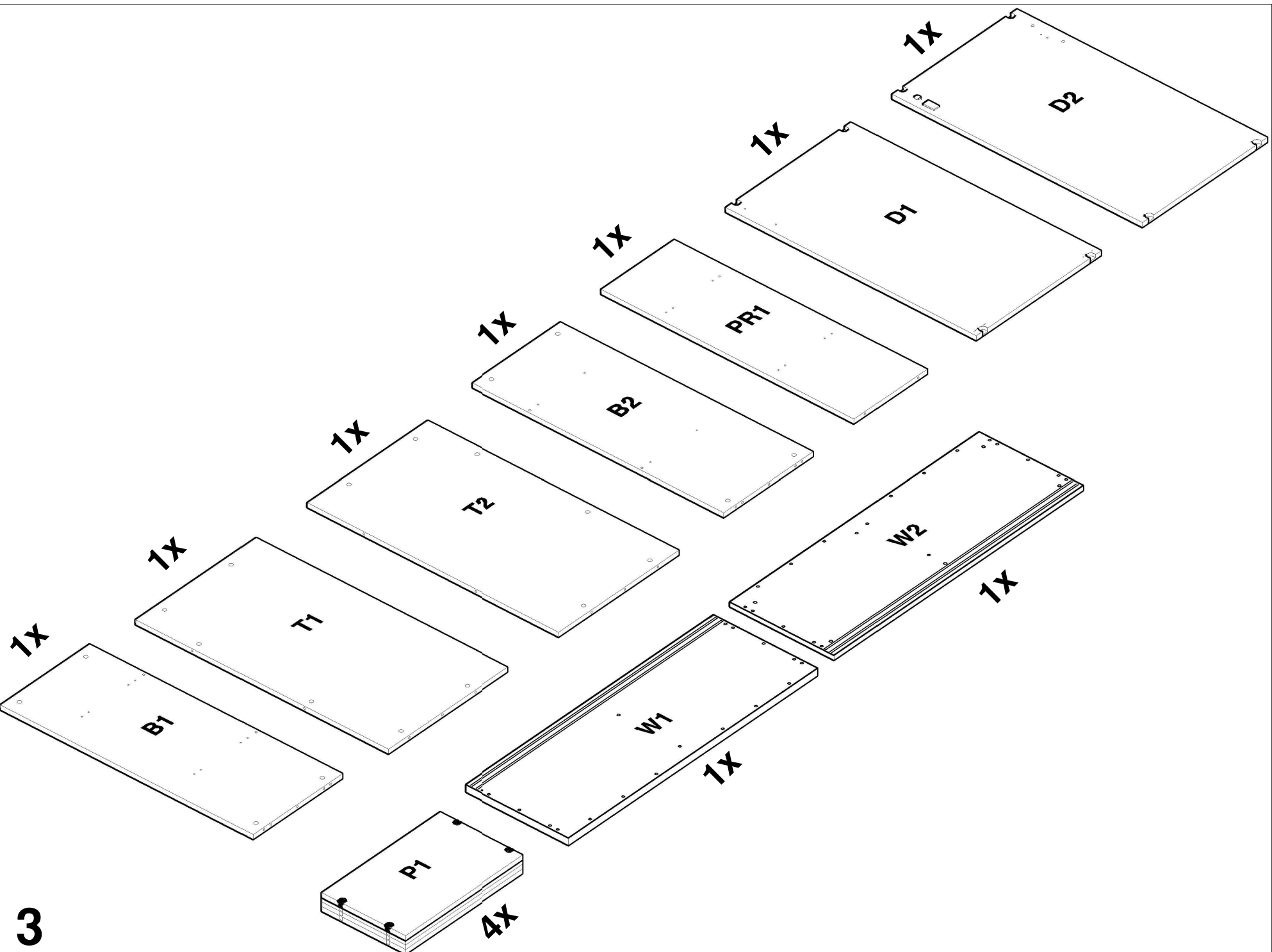
.mdd

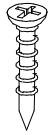
A3P06



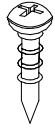


2

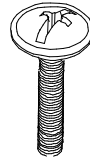




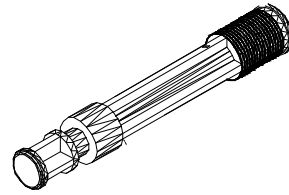
4x



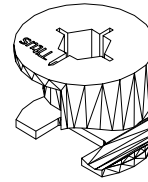
6x



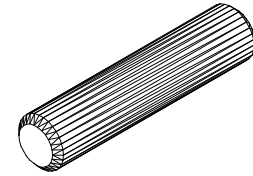
4x



20x



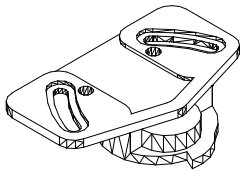
20x



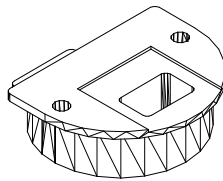
22x



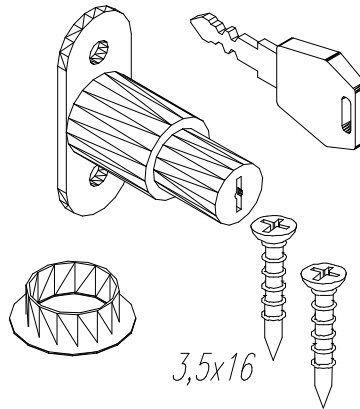
16x



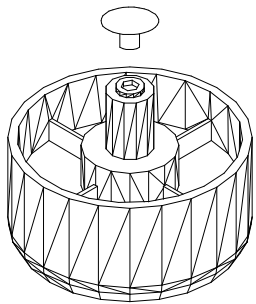
4x



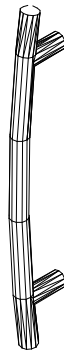
4x



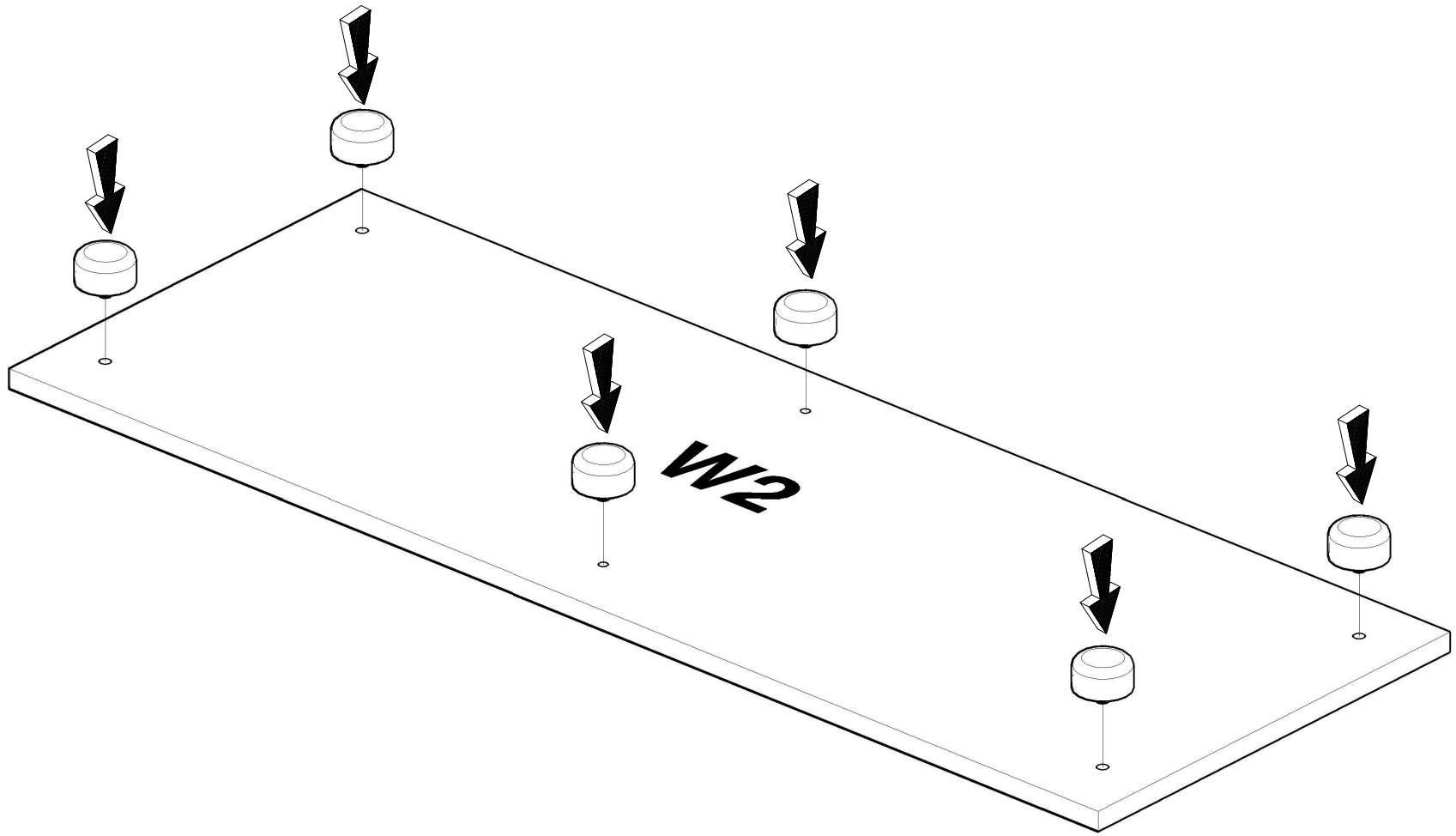
3,5x16

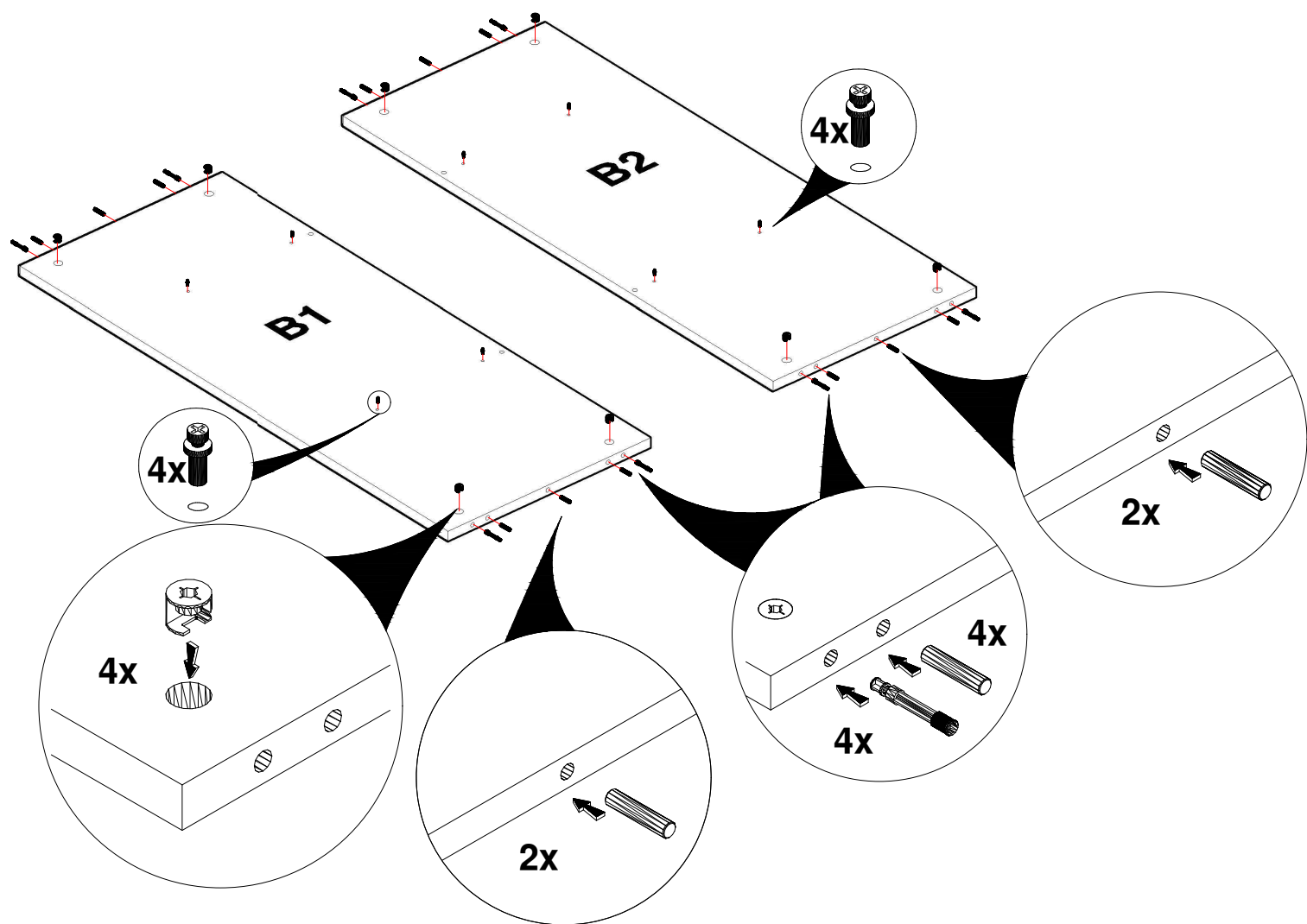


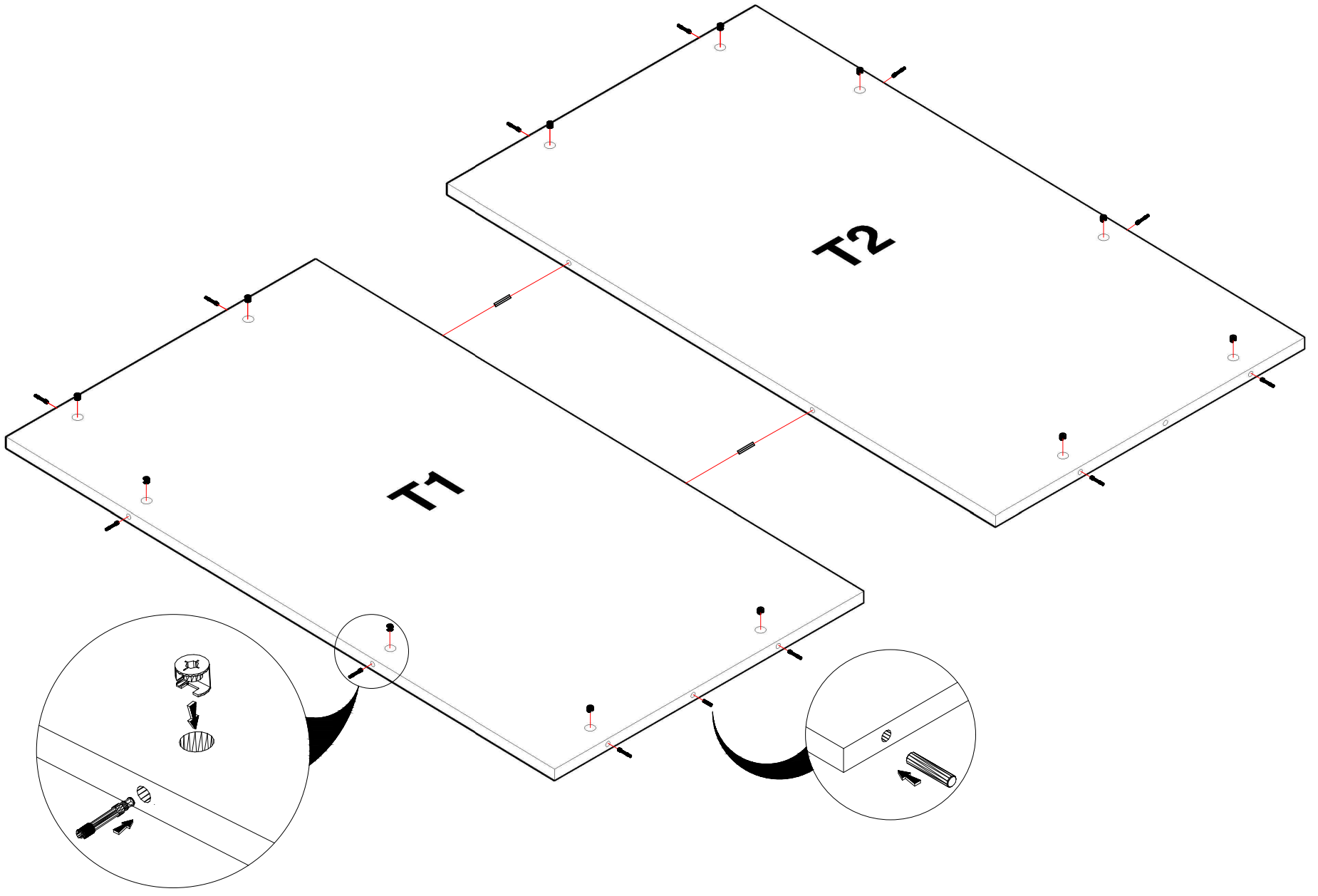
6x

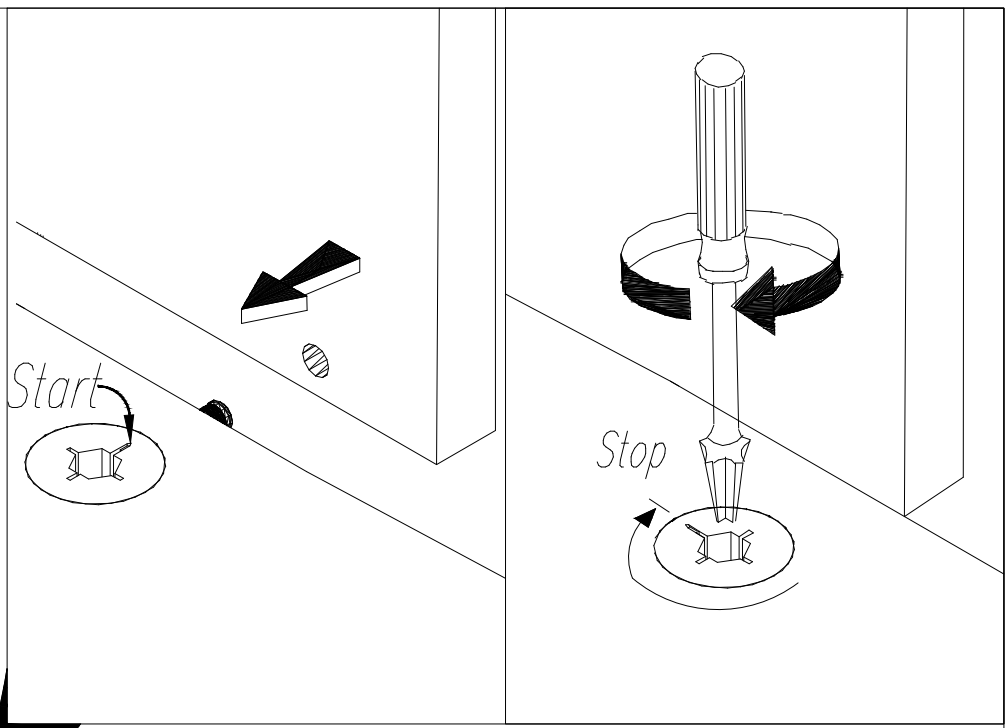
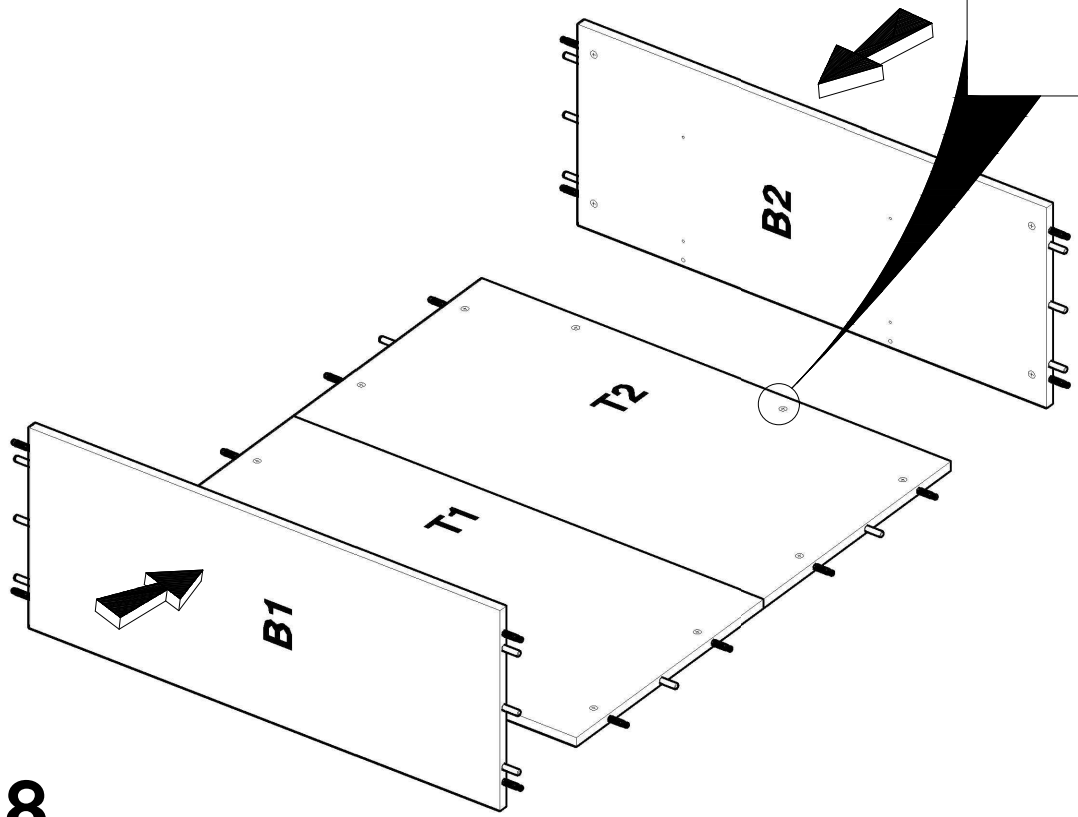


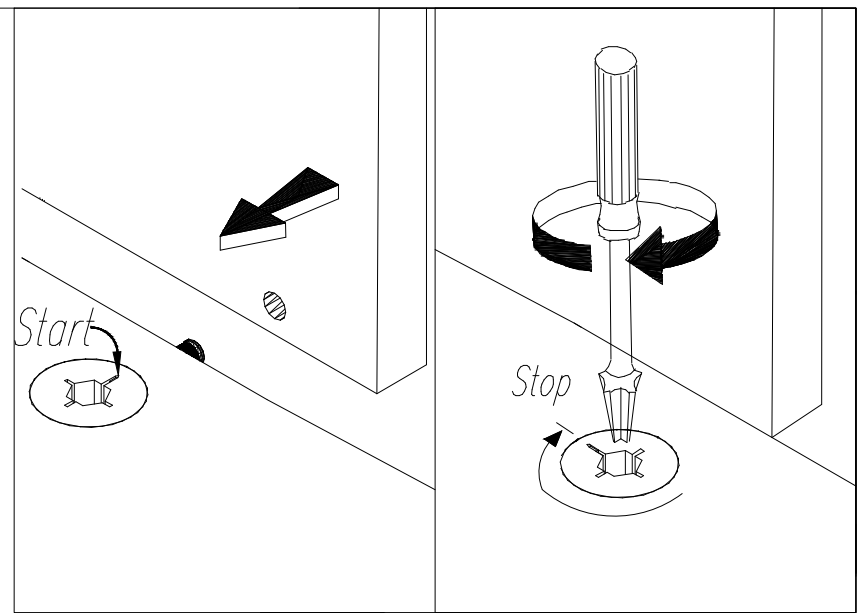
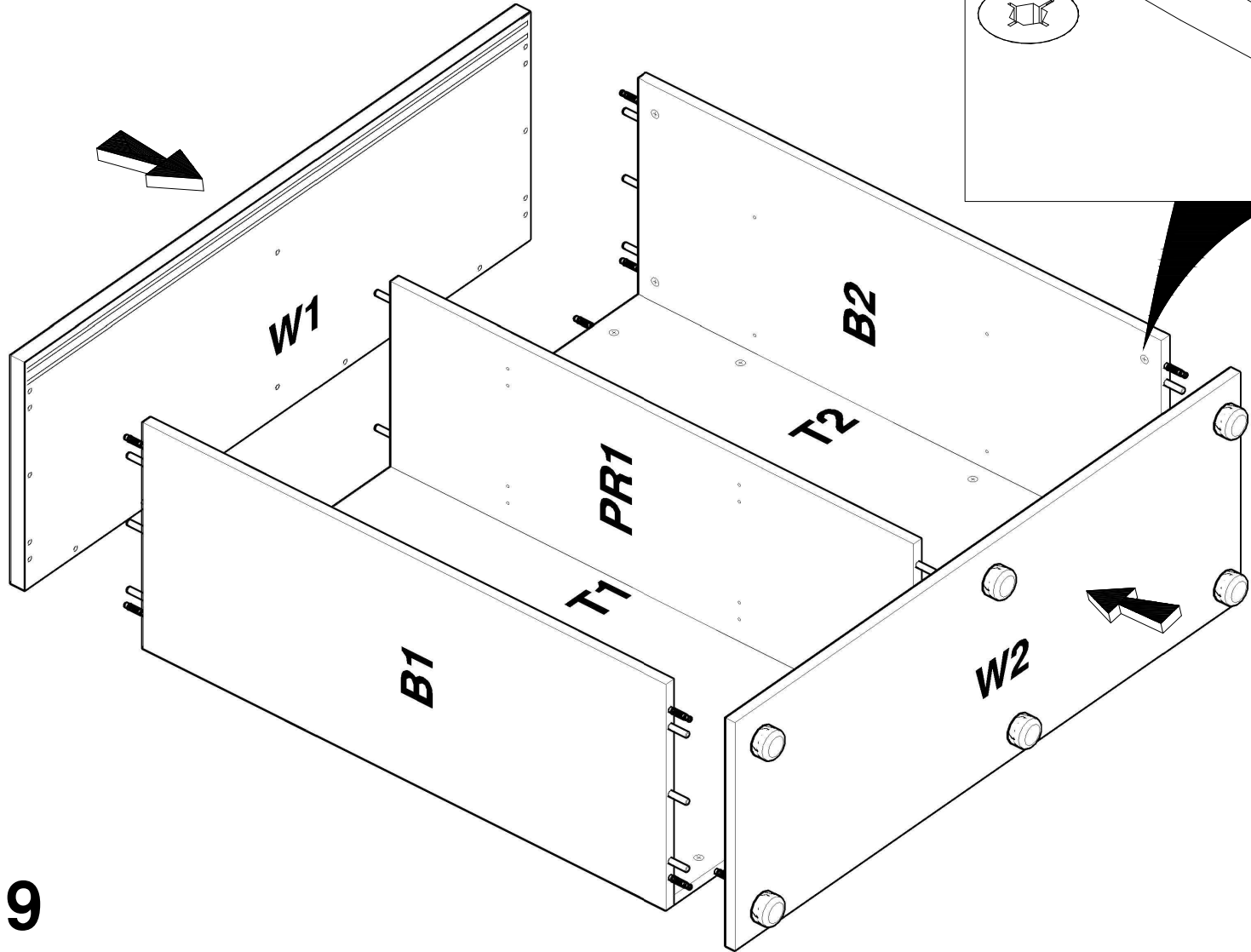
2x

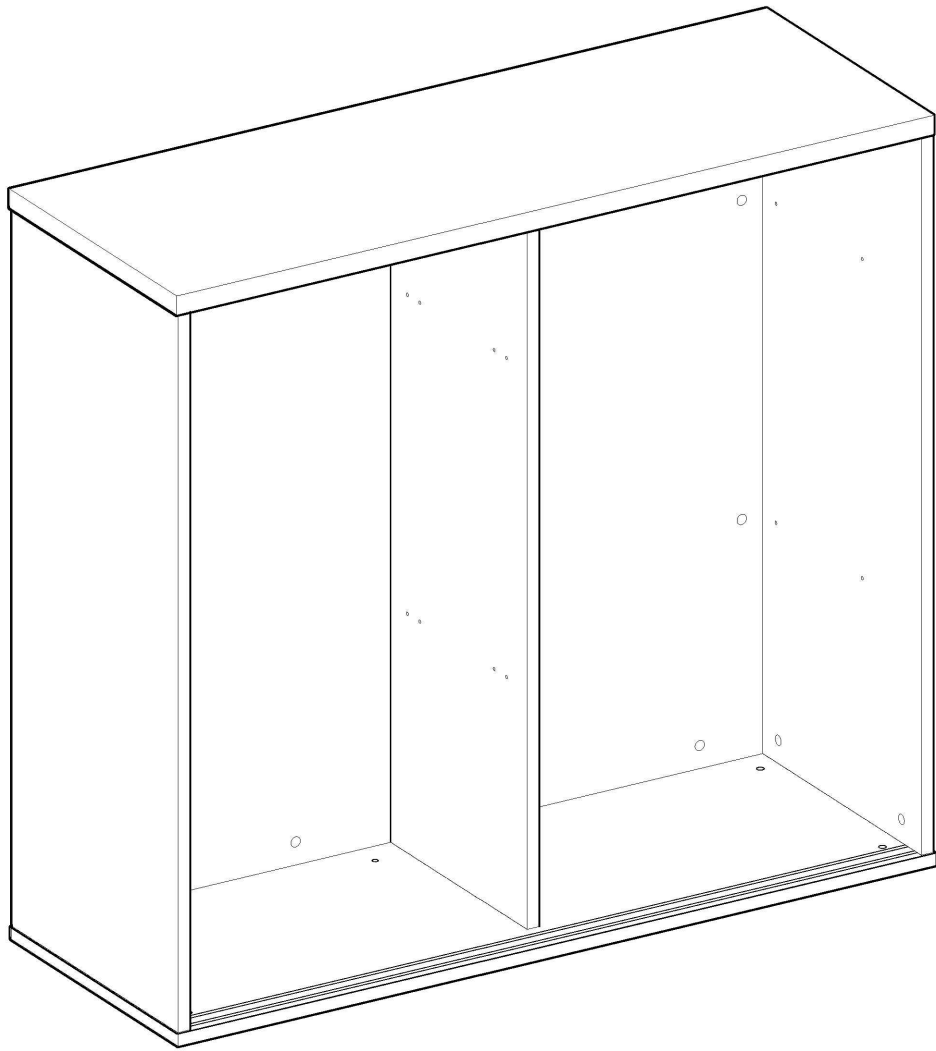












10

