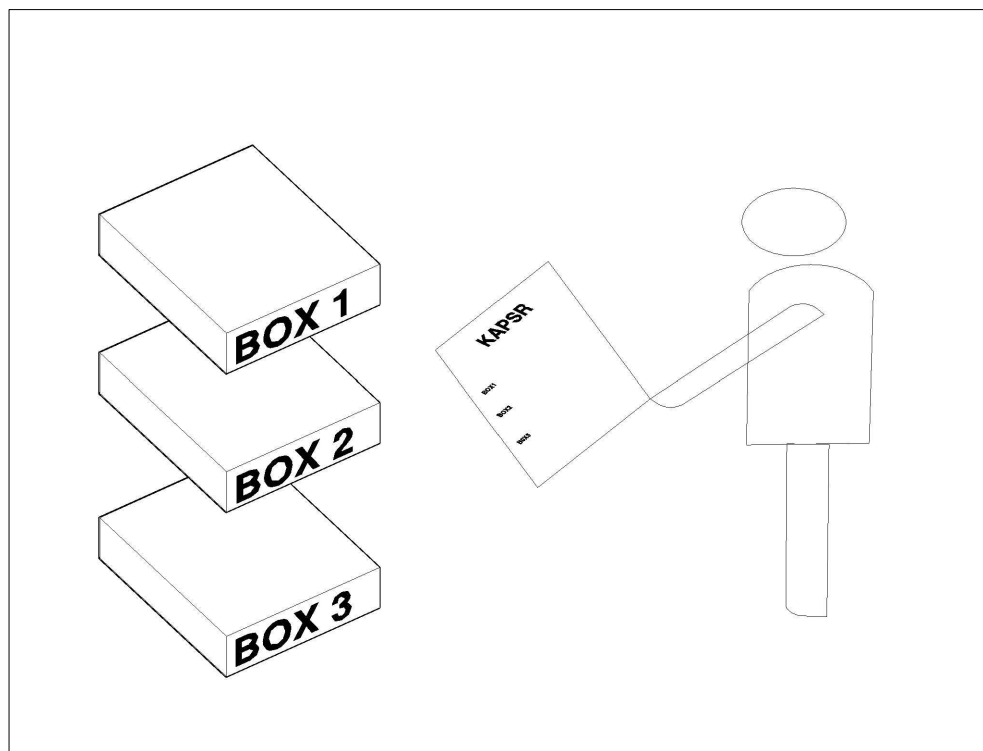
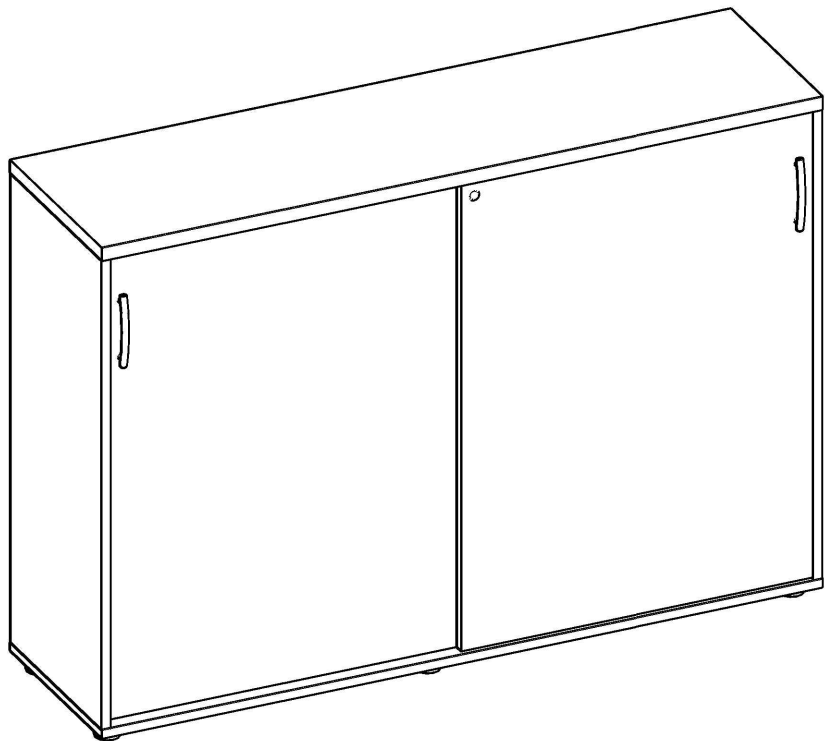
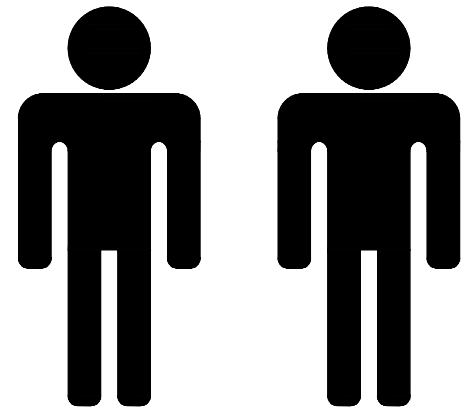
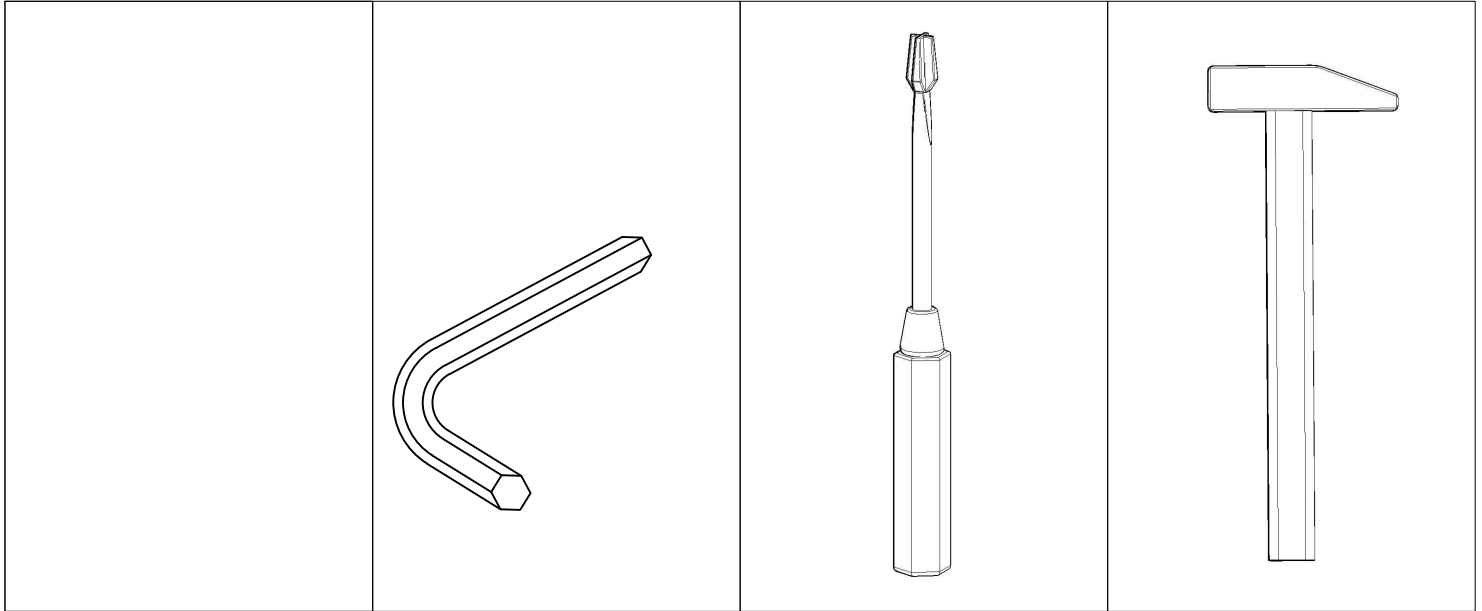
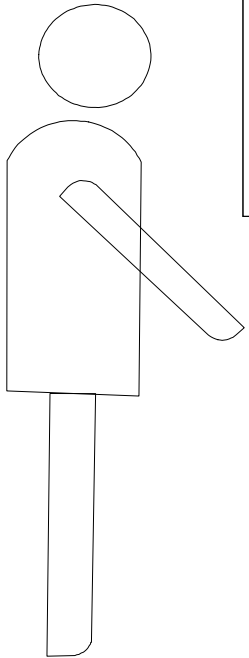


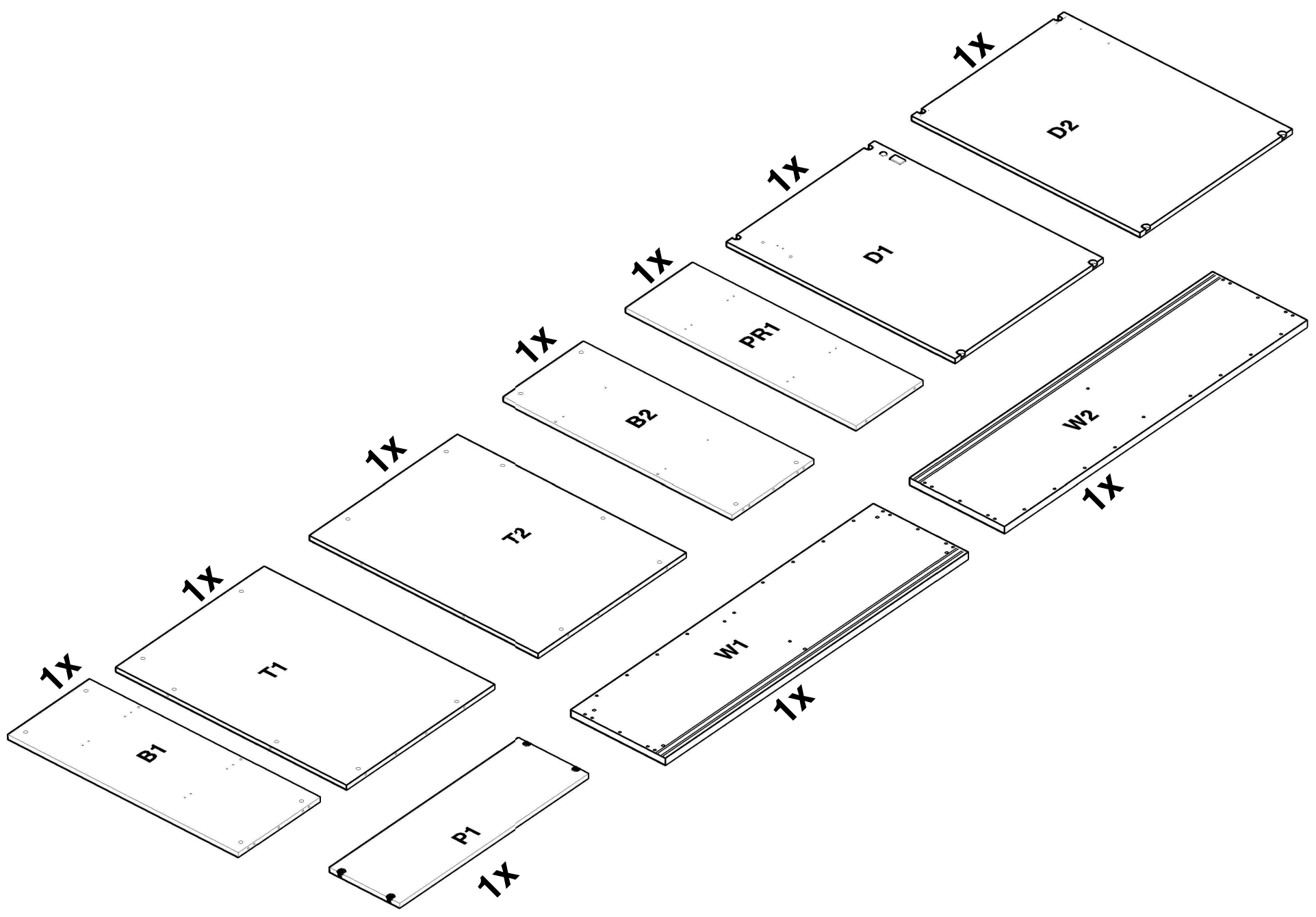
.mdd

# A2P04



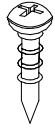


2

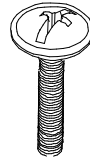




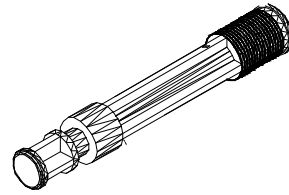
4x



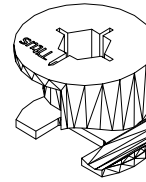
6x



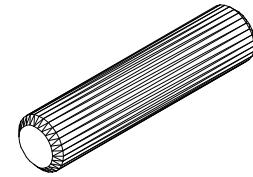
4x



18x



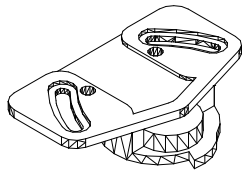
18x



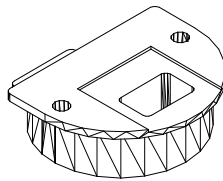
21x



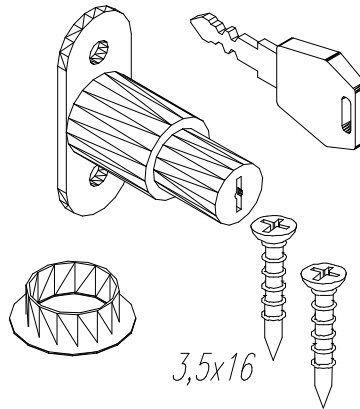
8x



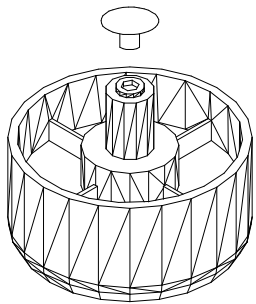
4x



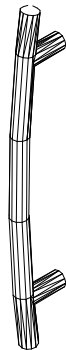
4x



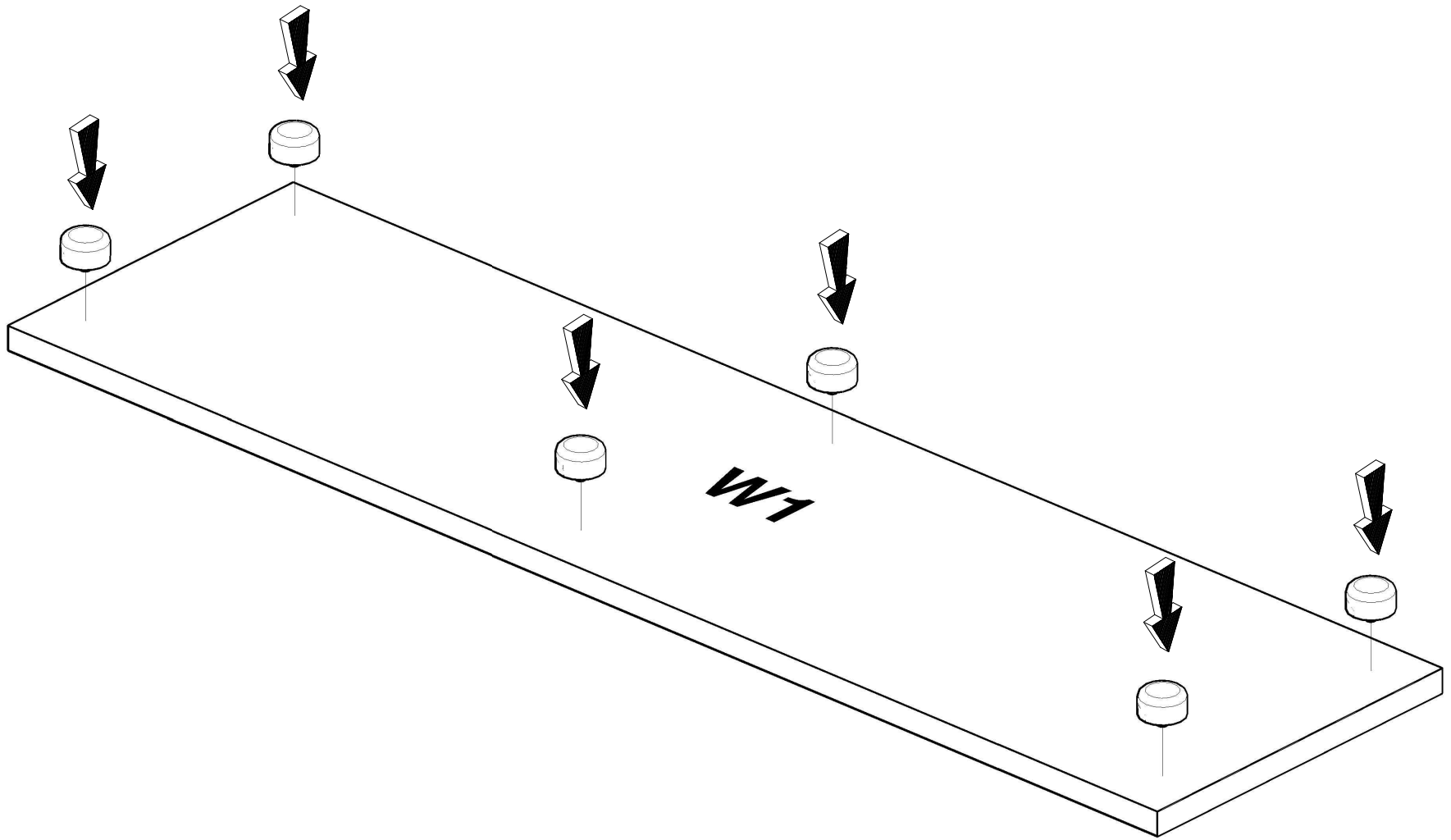
3,5x16

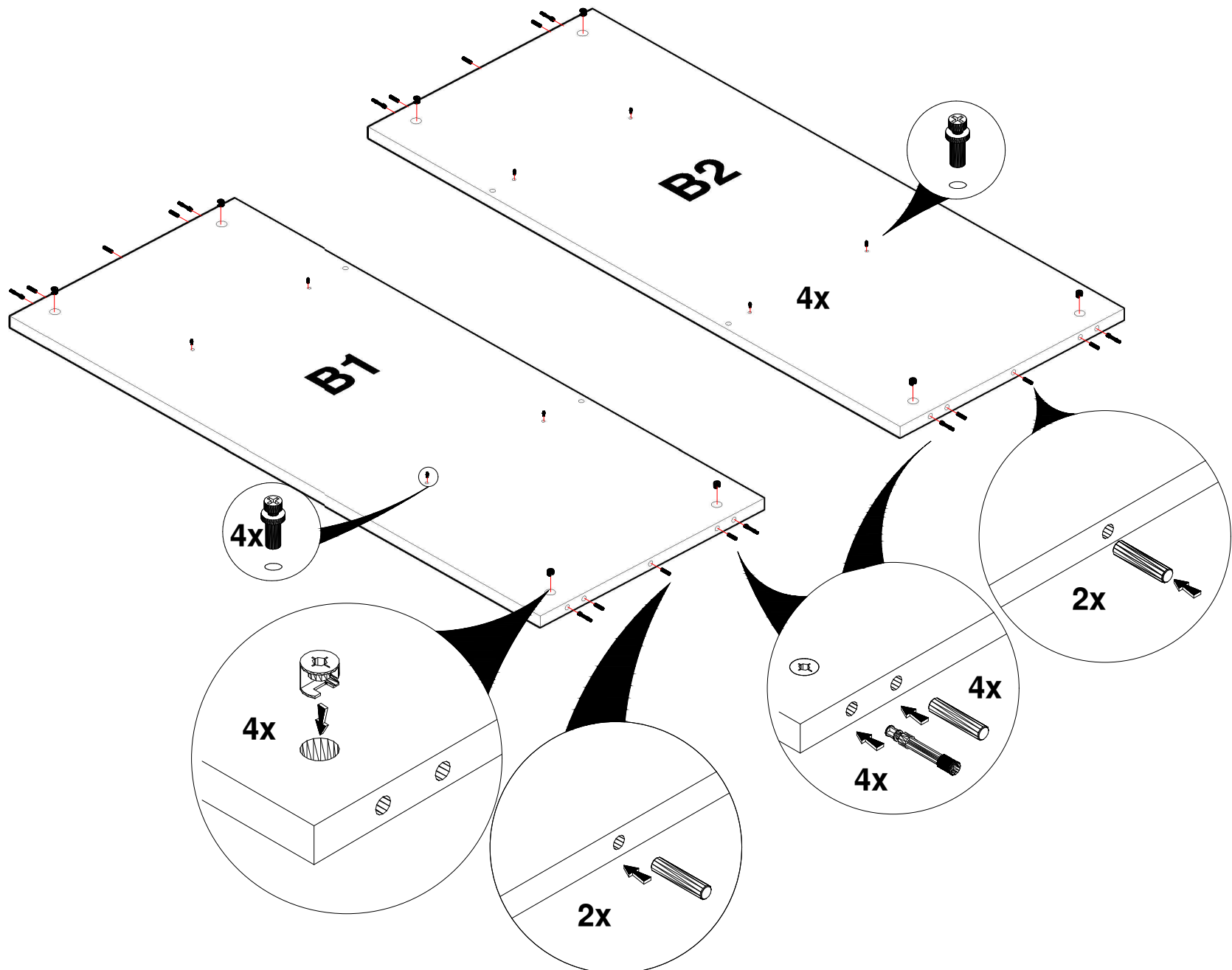


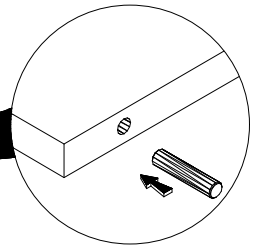
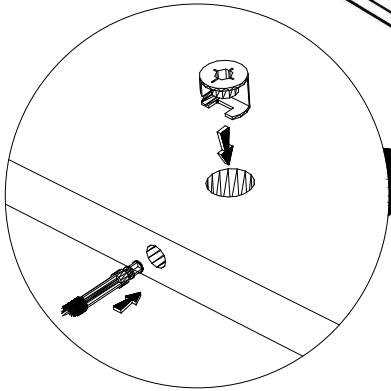
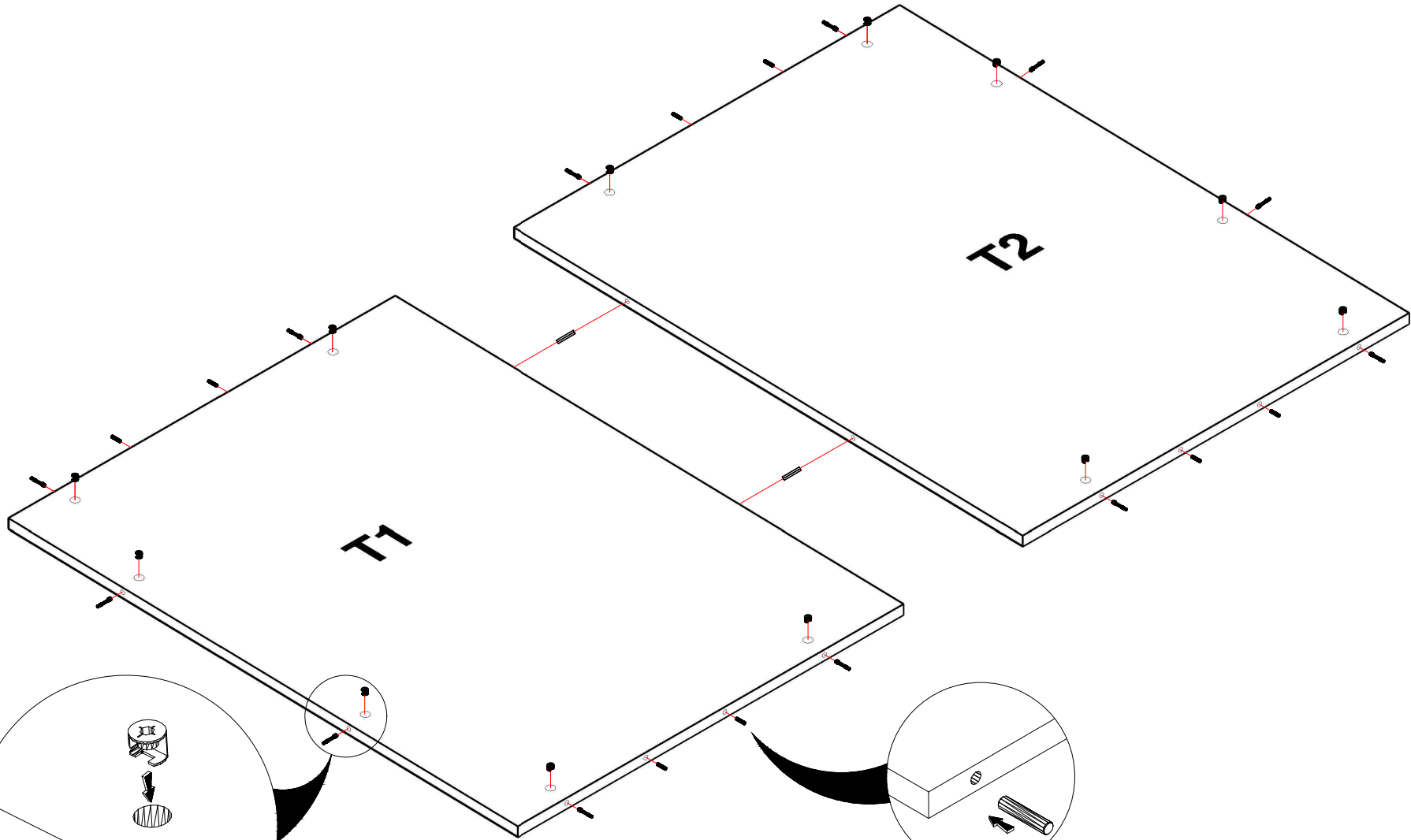
6x



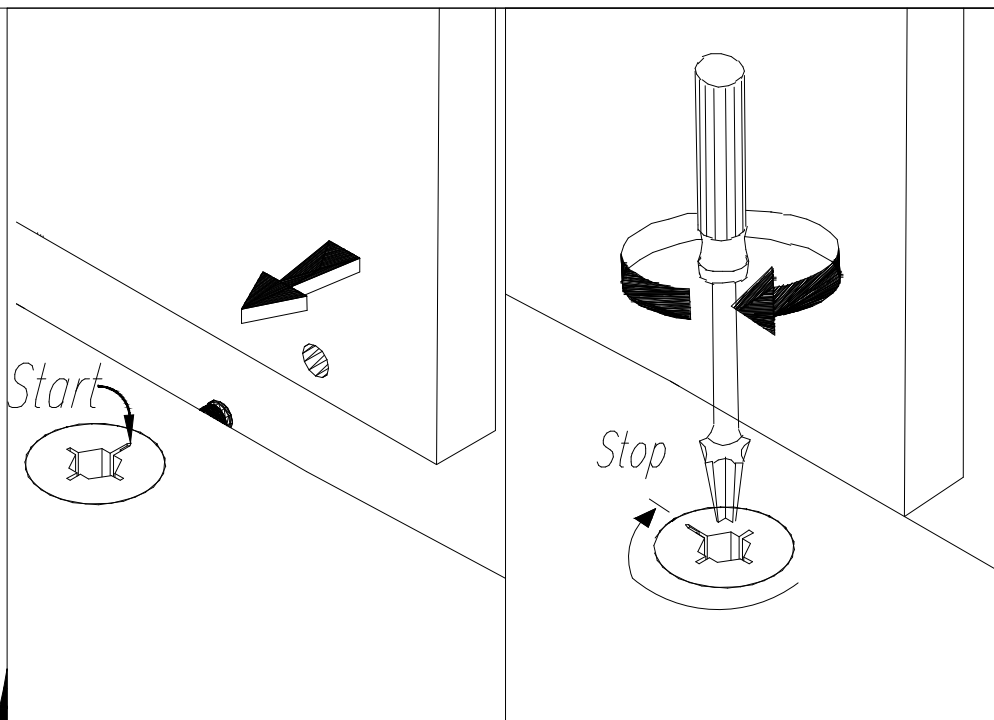
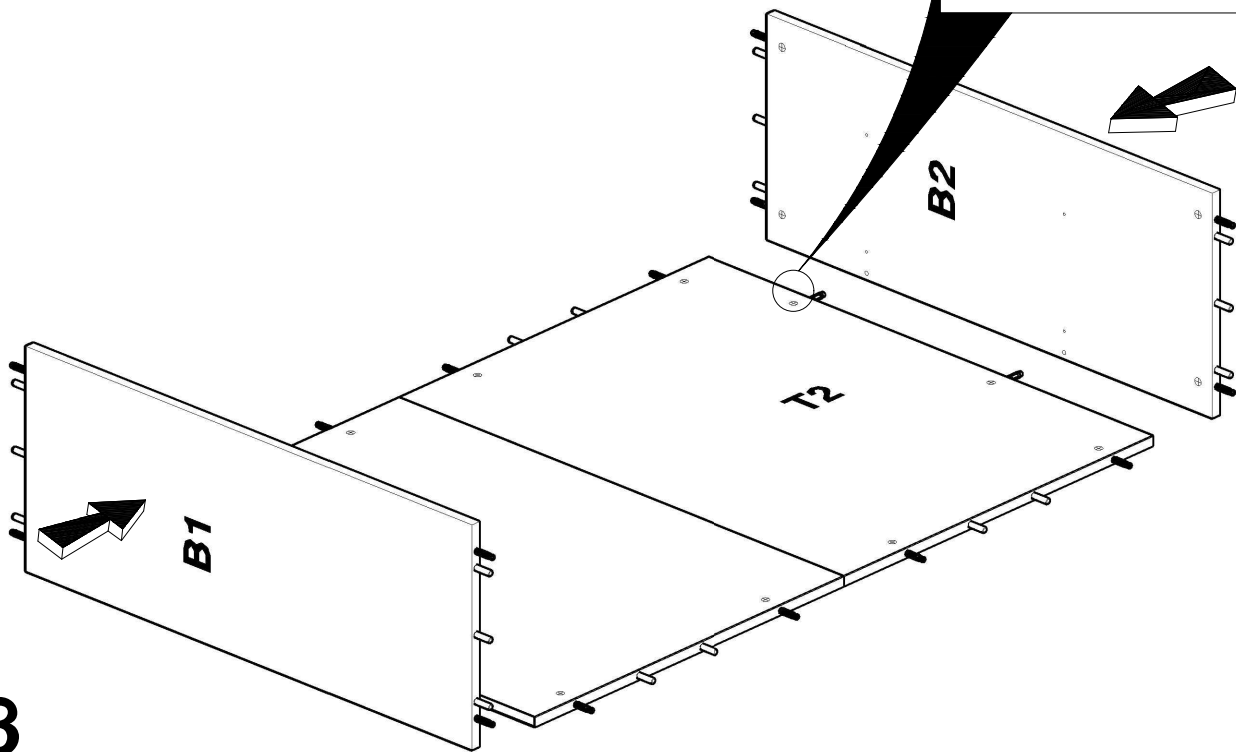
2x



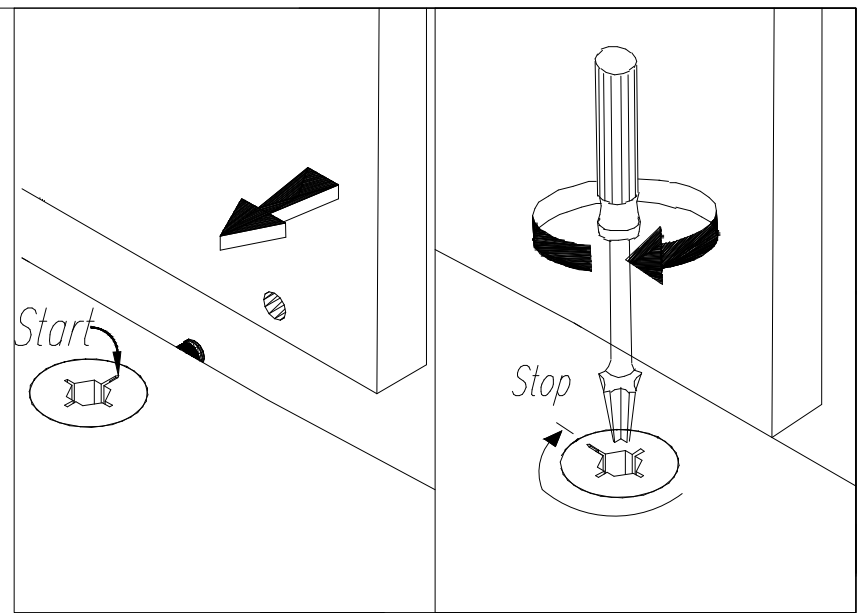
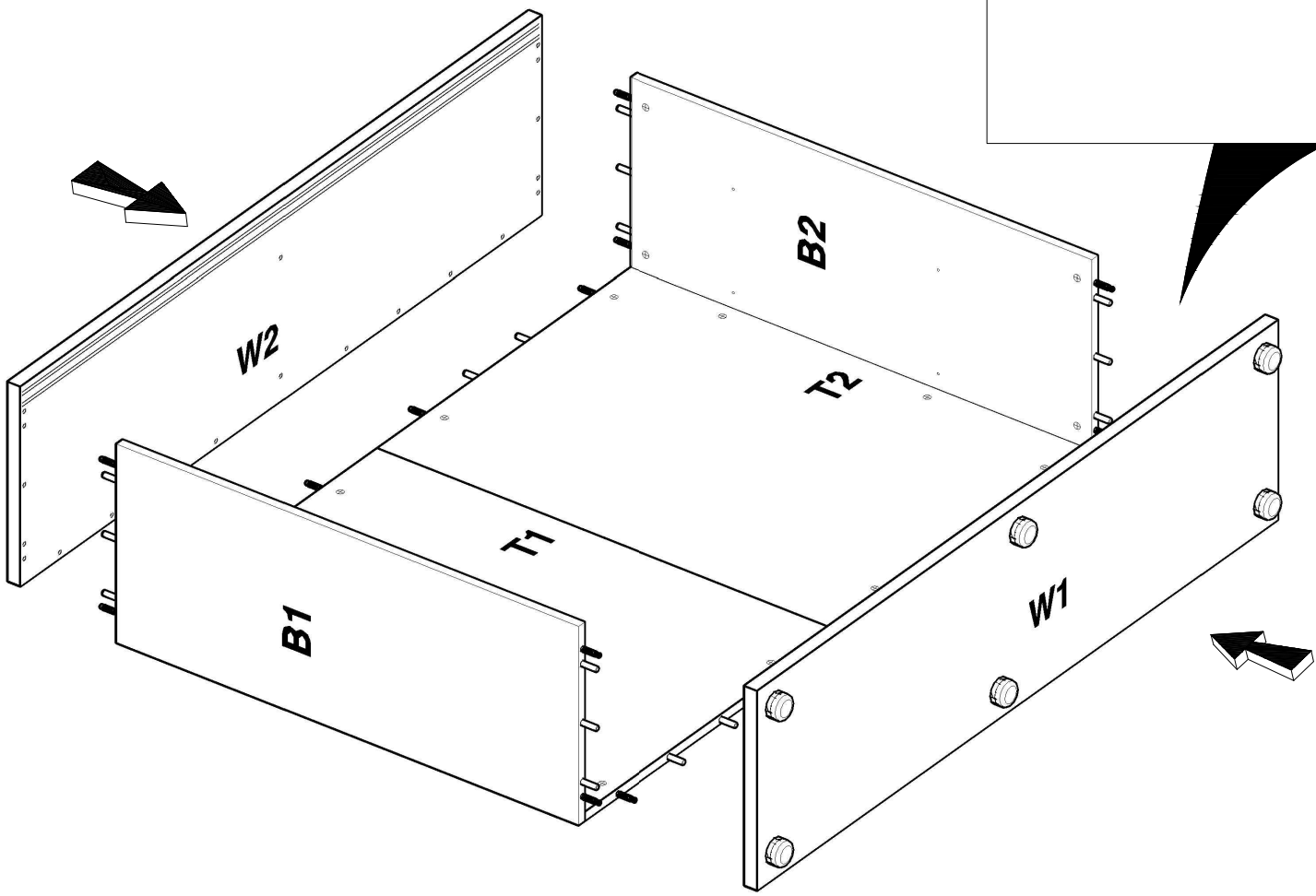


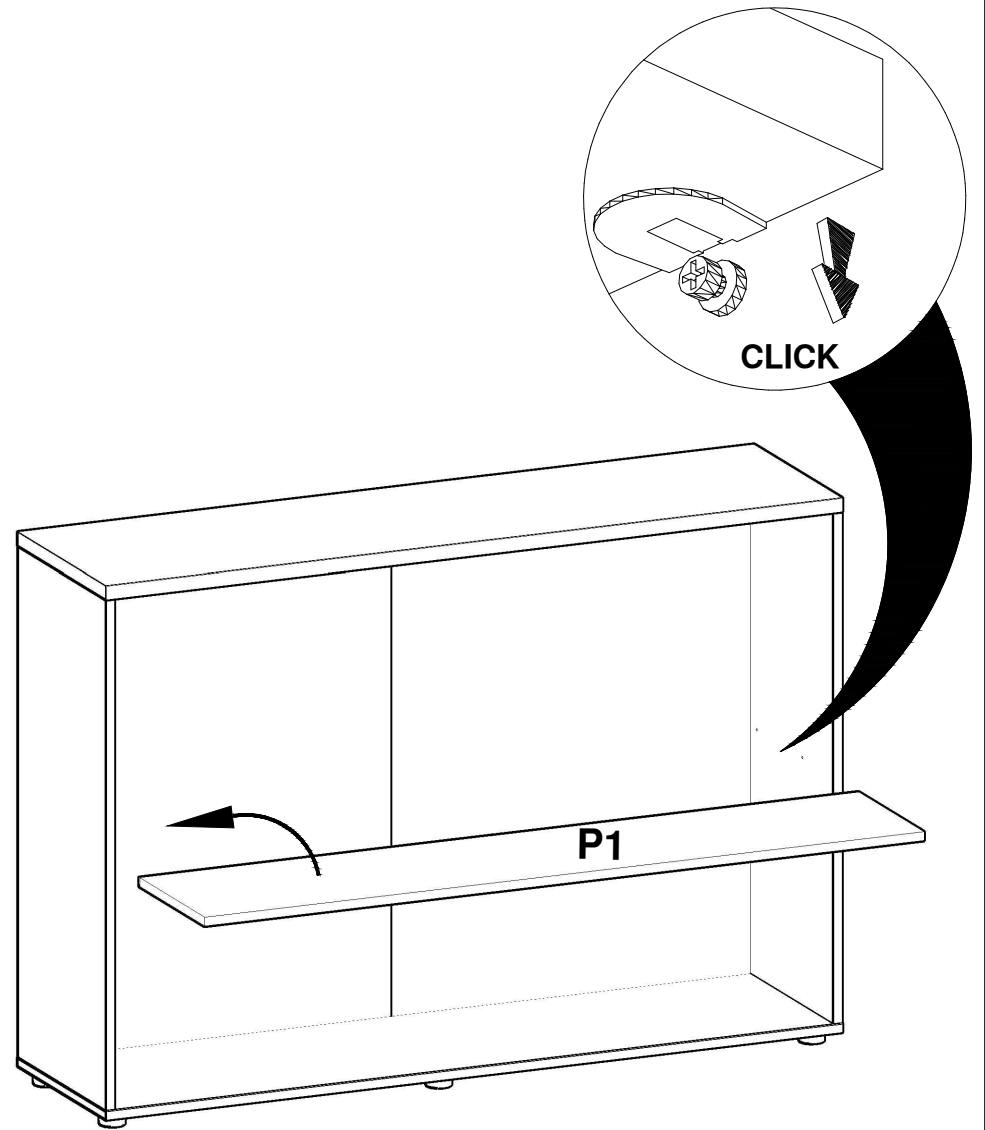
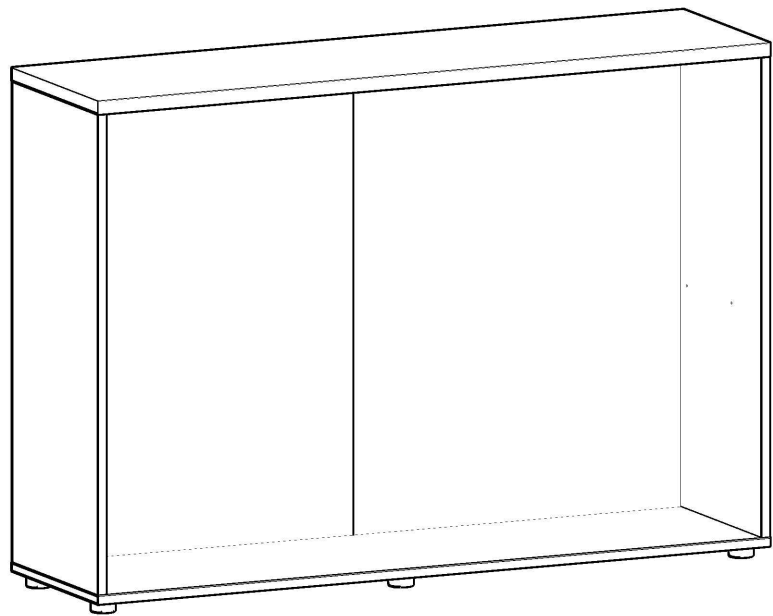


8









10

