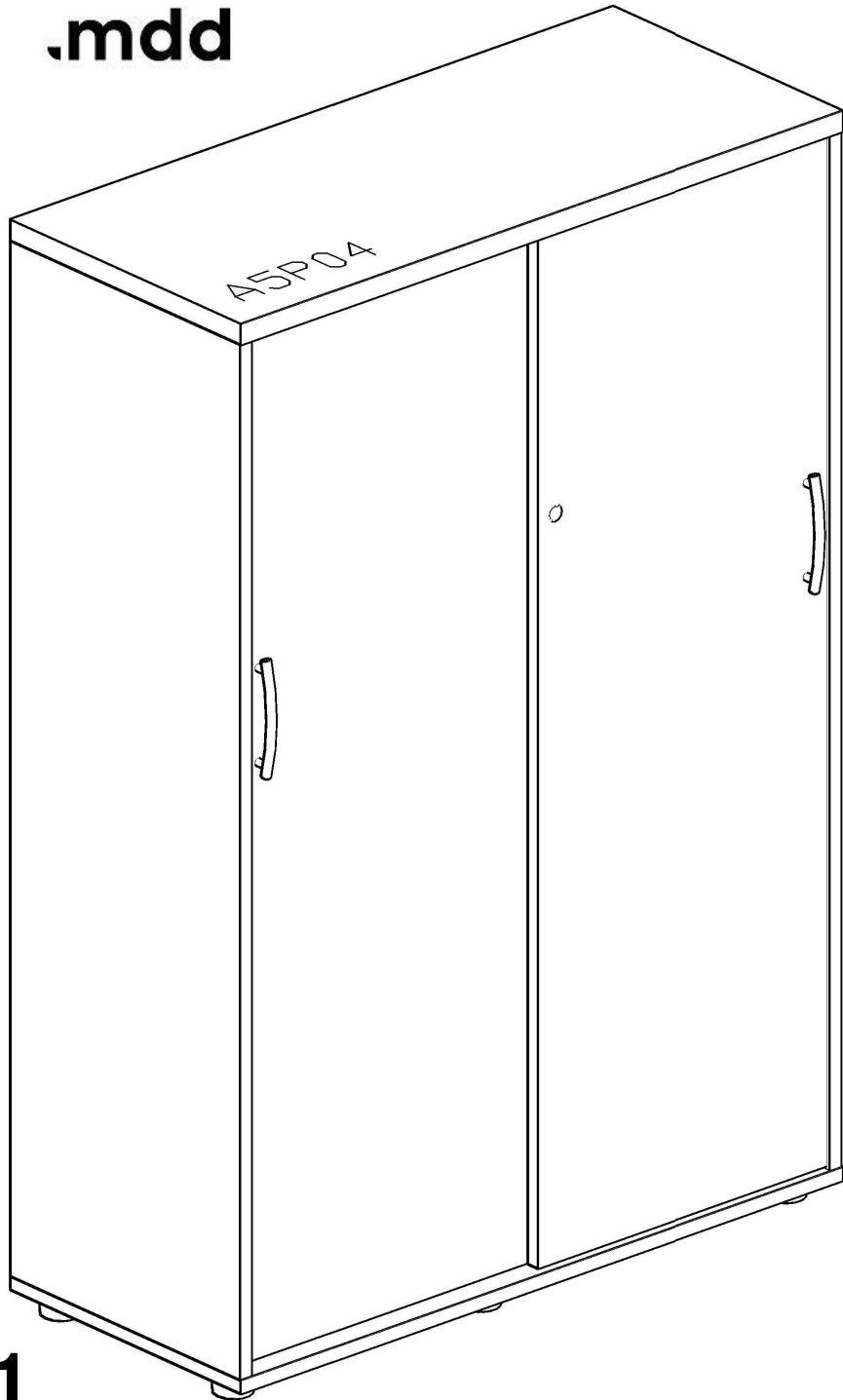
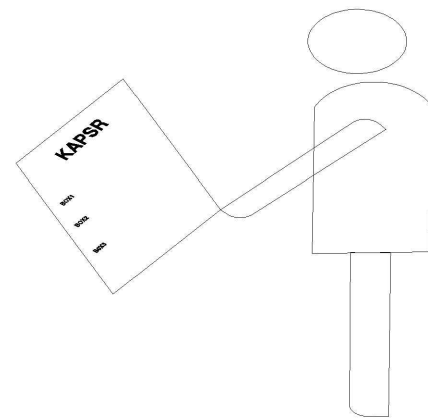
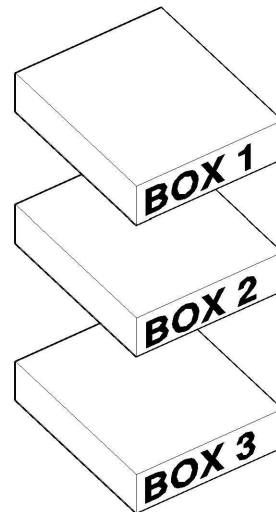


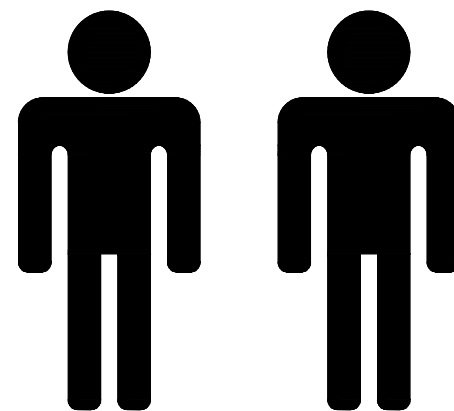
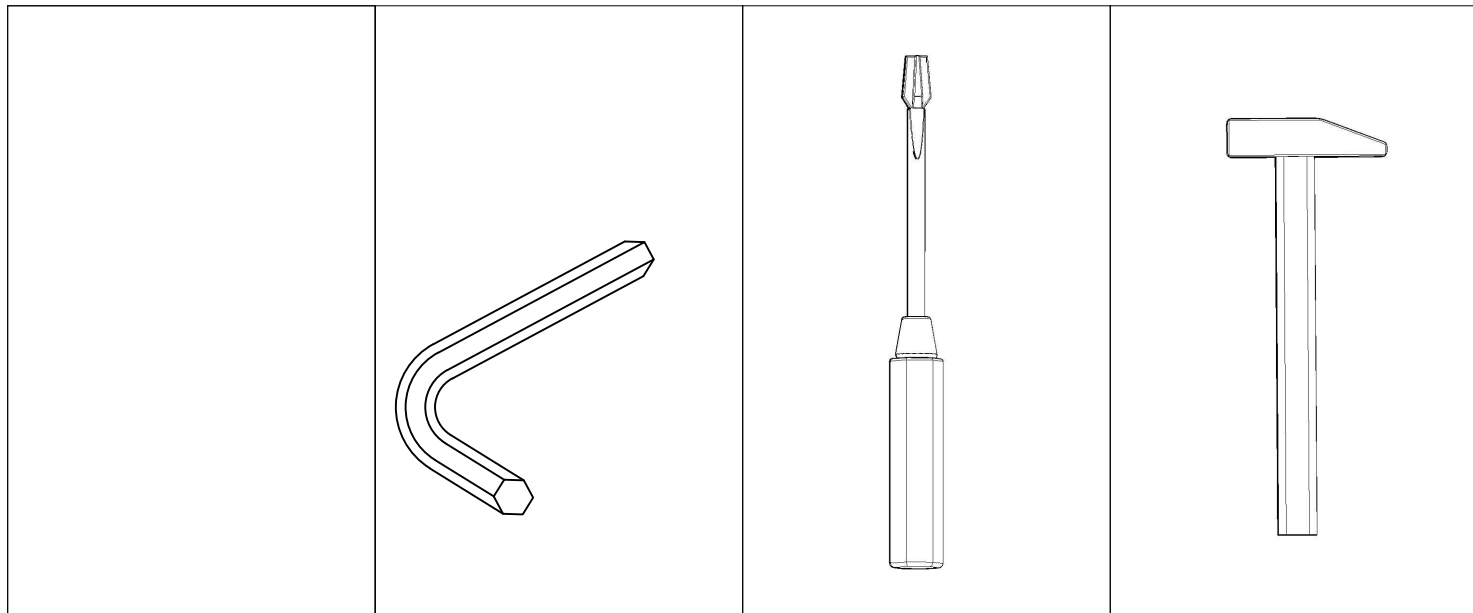
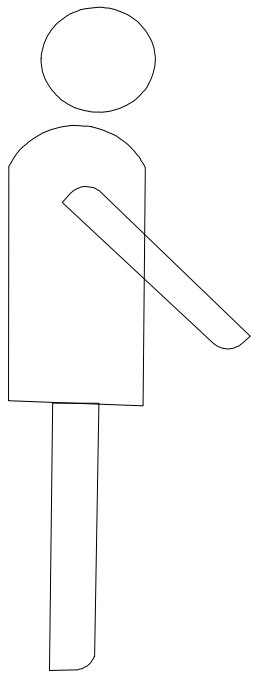
.mdd



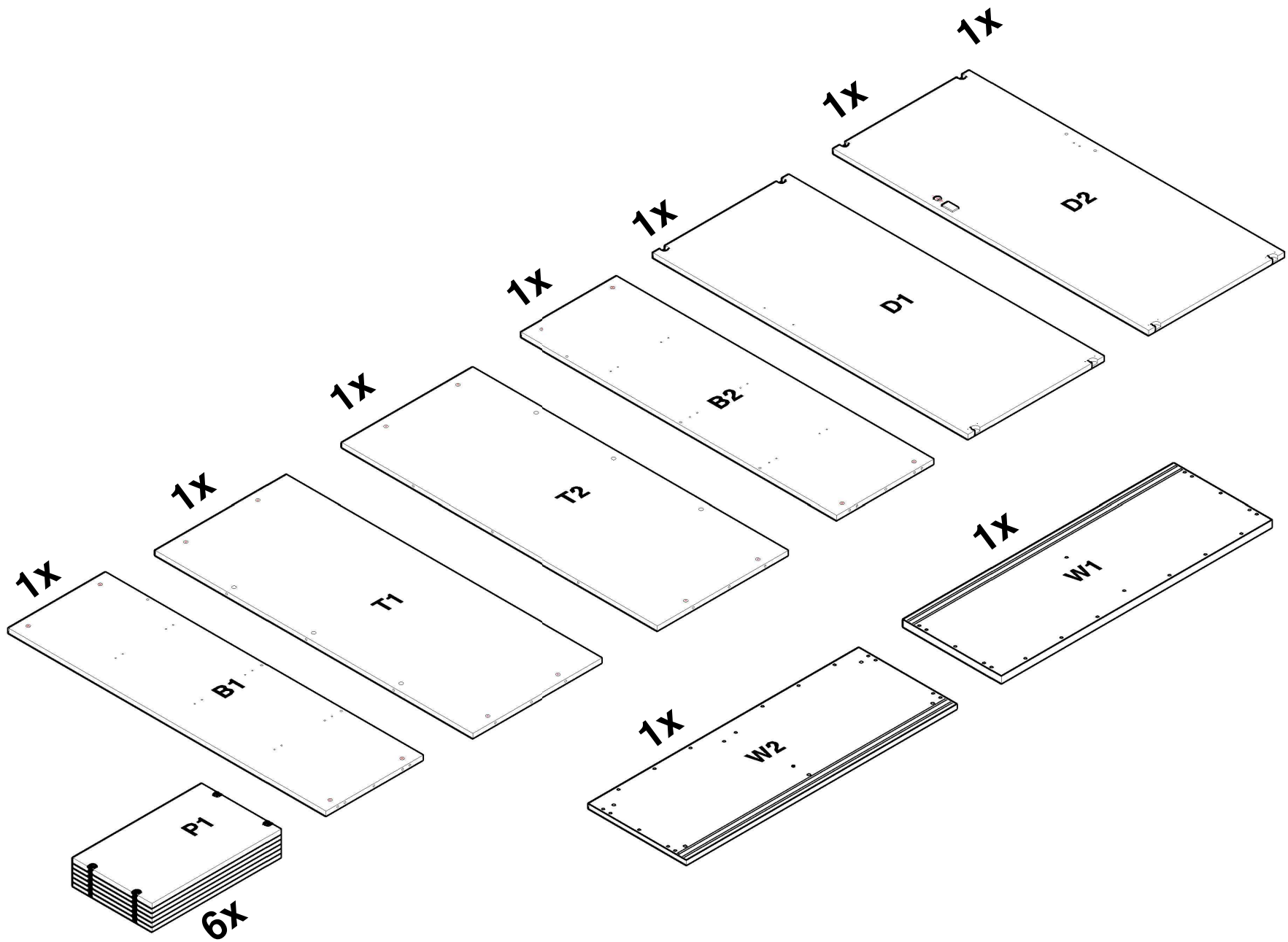
**A5P04**



**1**

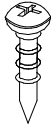


2

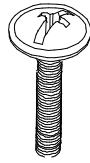




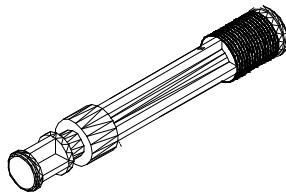
4x



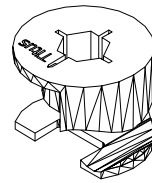
6x



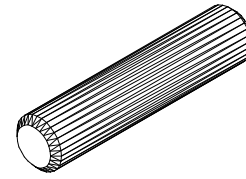
4x



20x



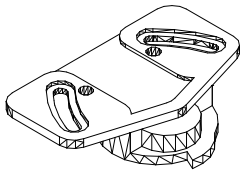
20x



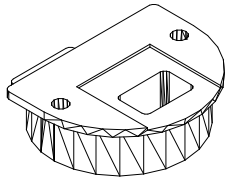
18x



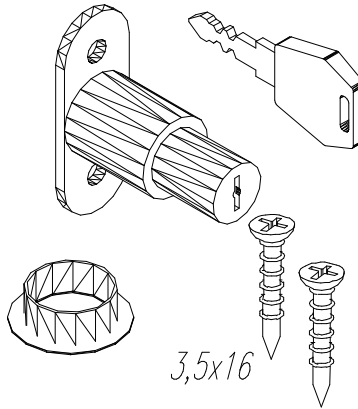
16x



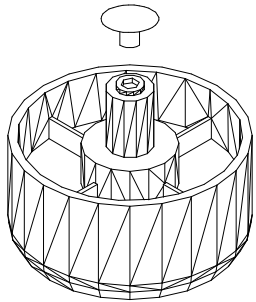
4x



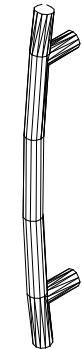
4x



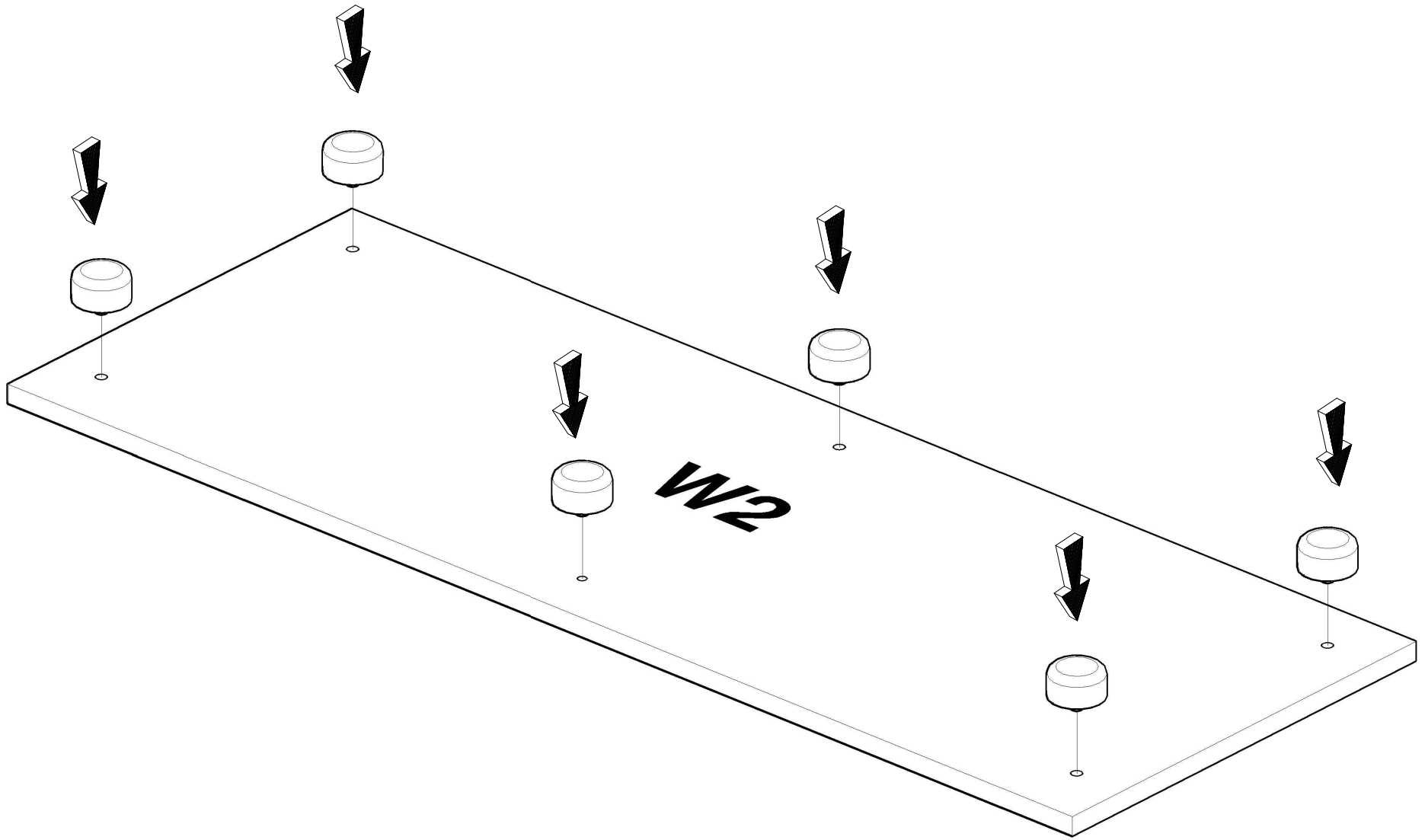
1x

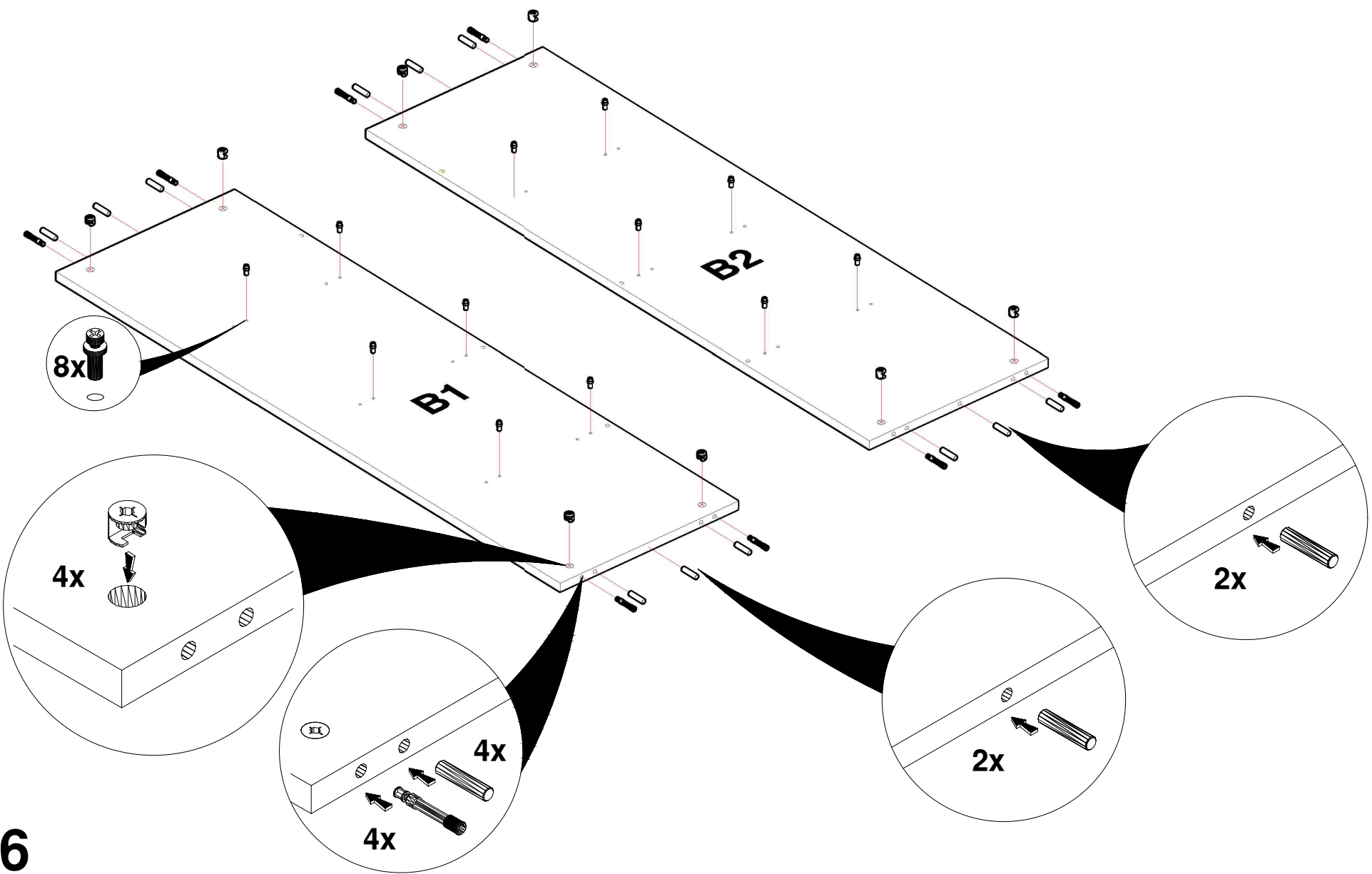


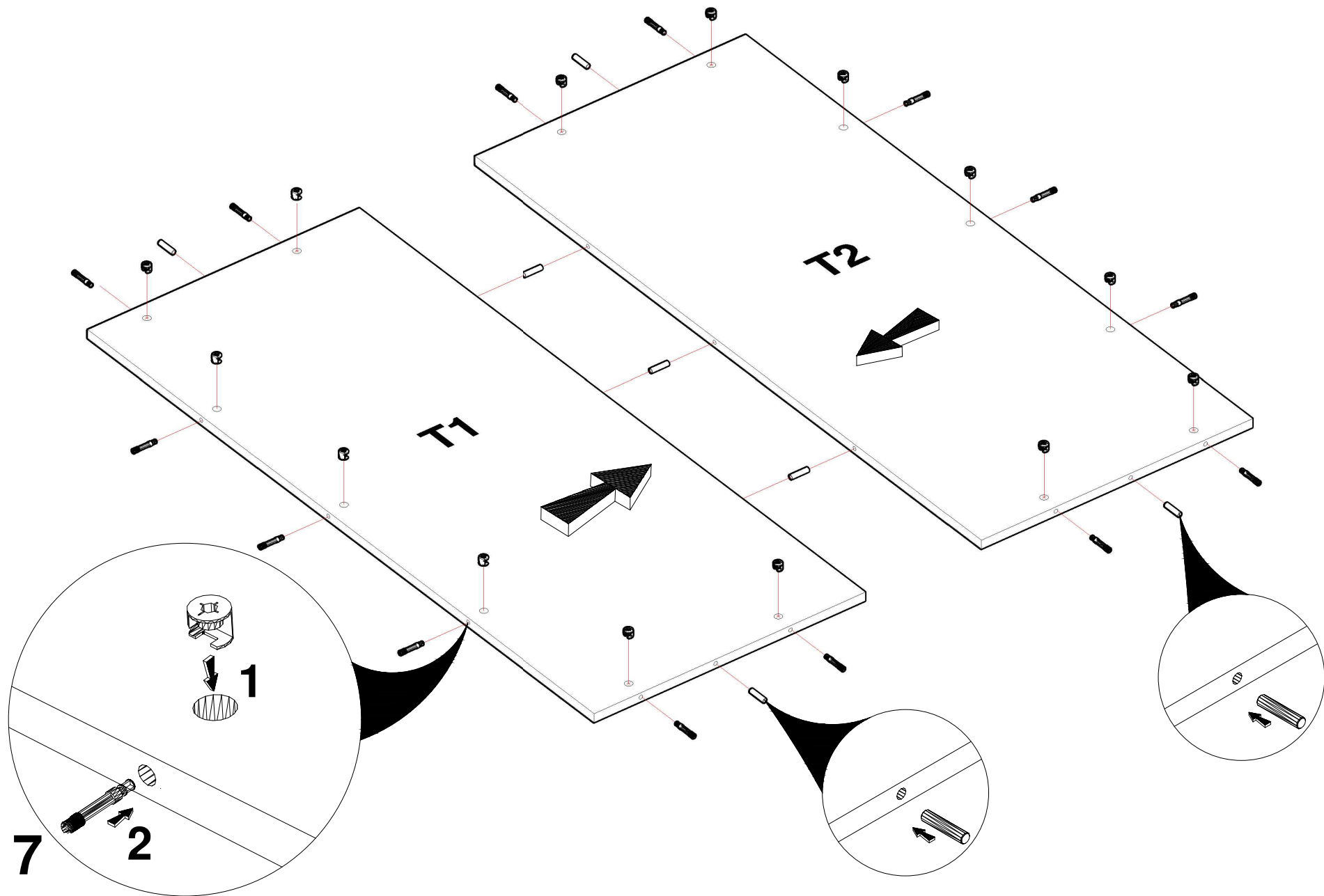
6x

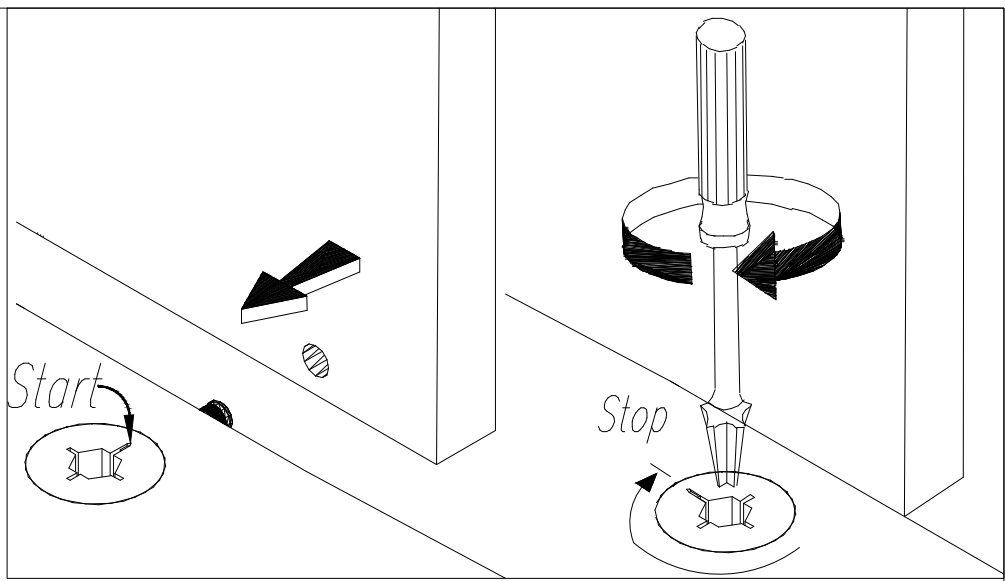
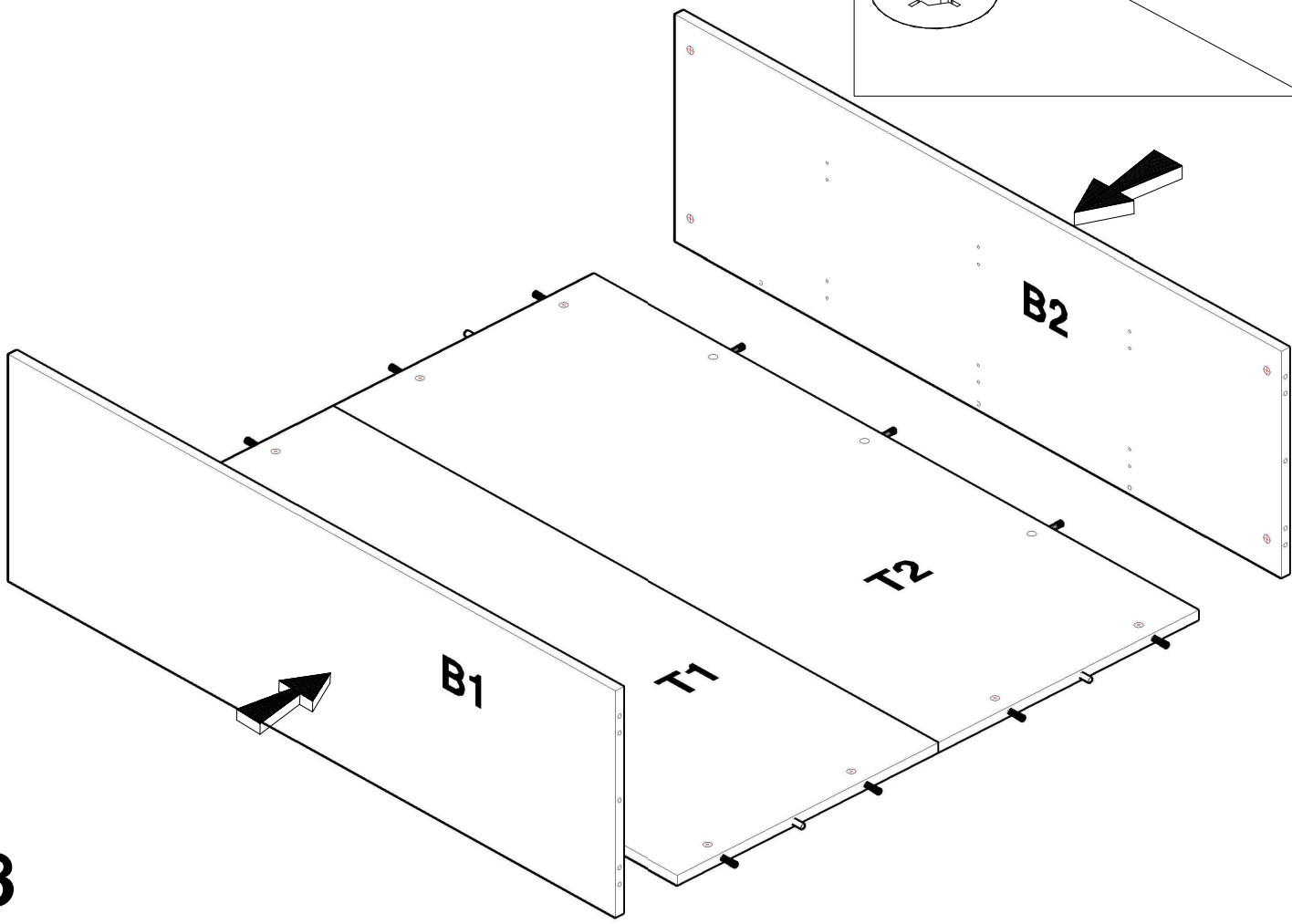


2x

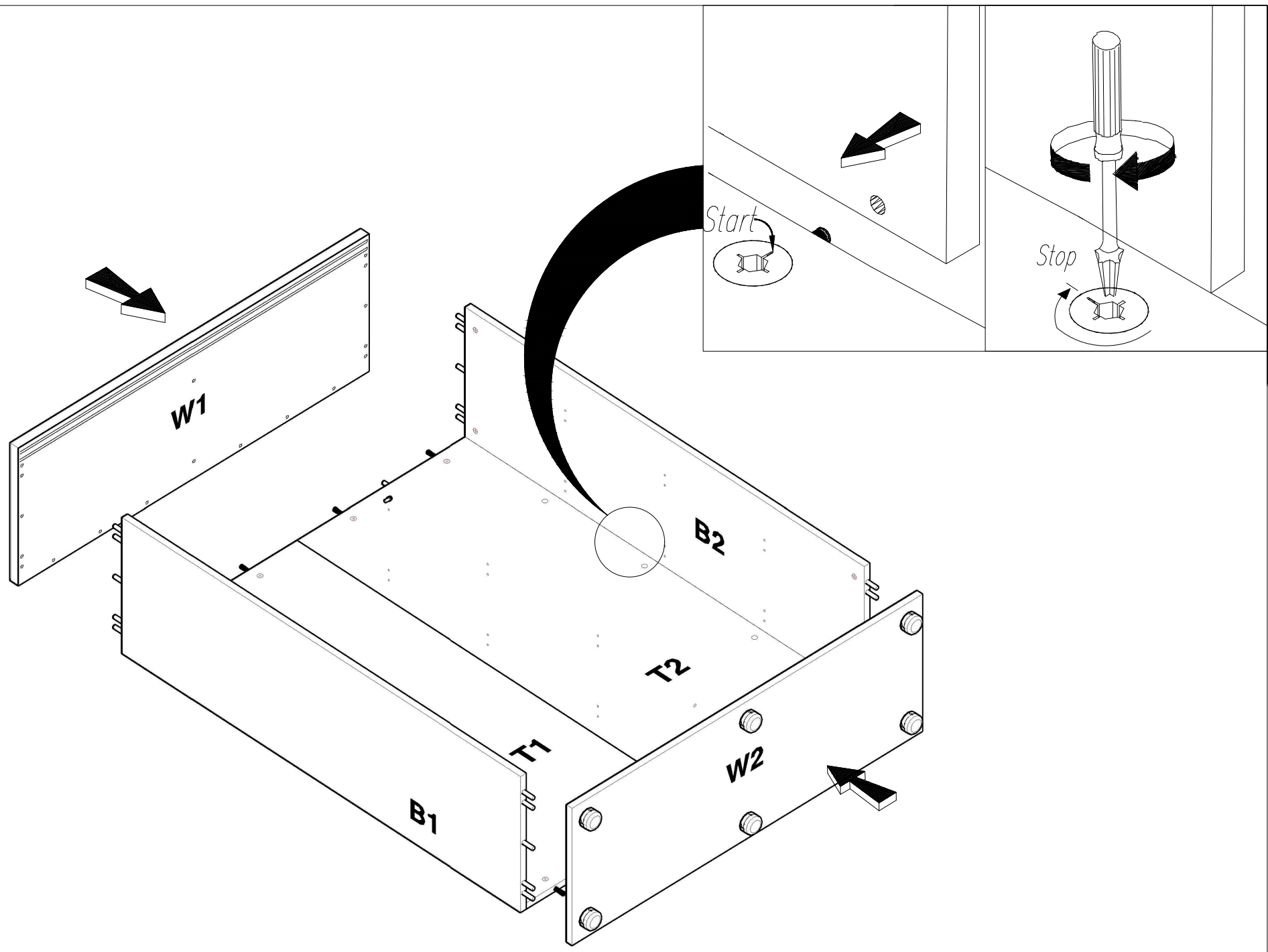


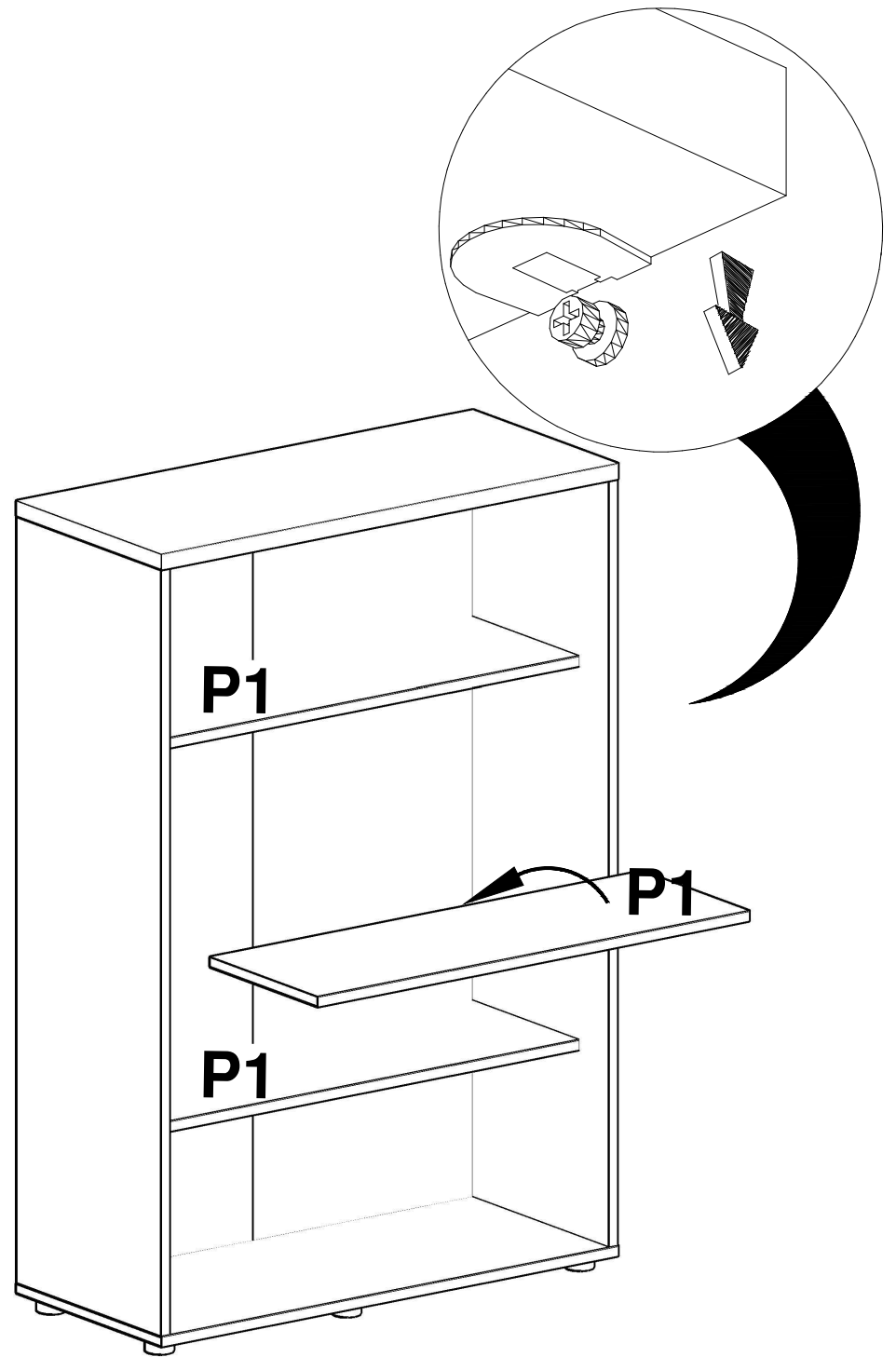
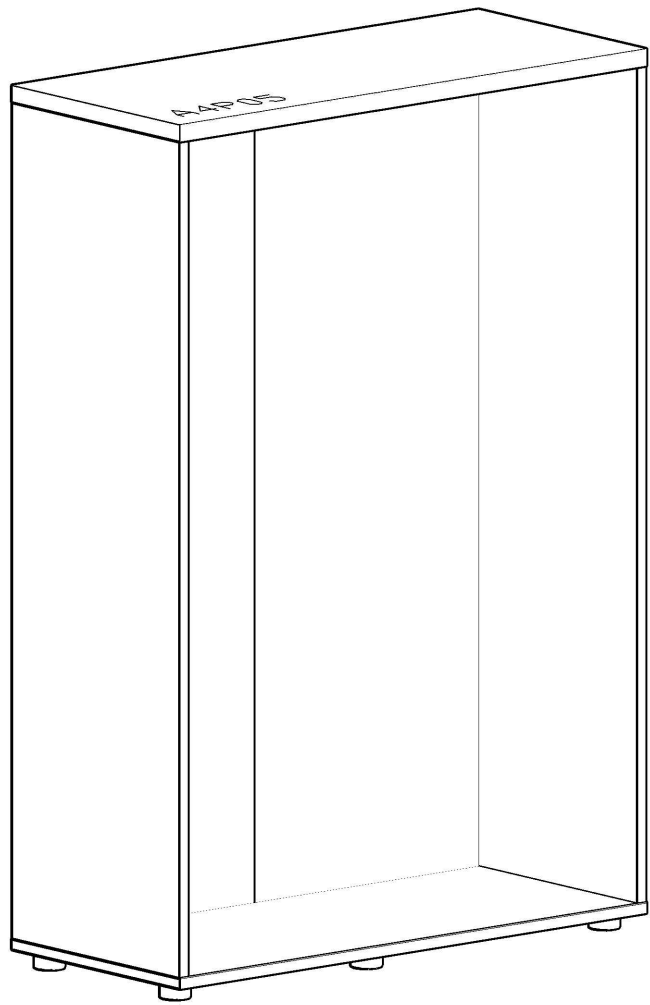




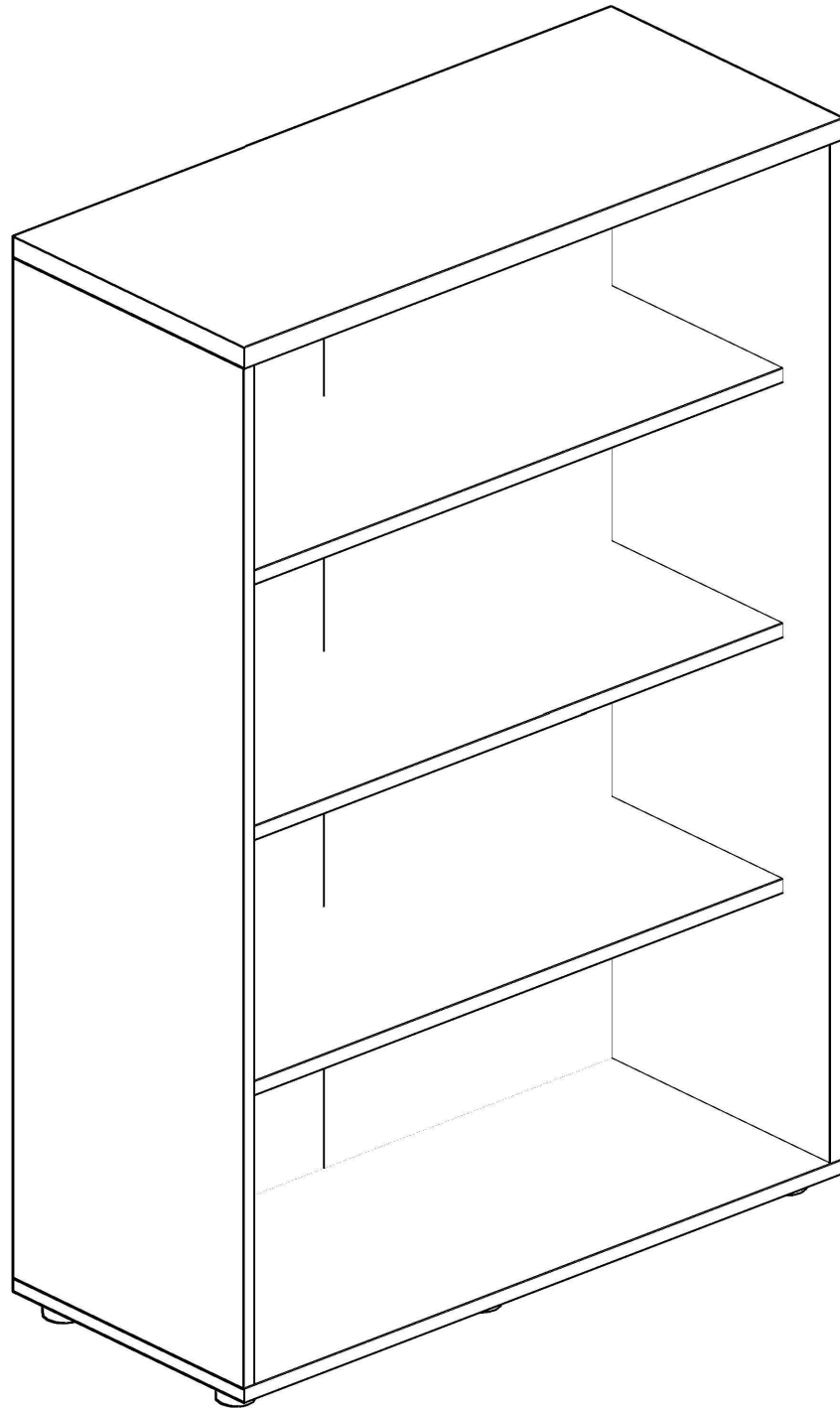


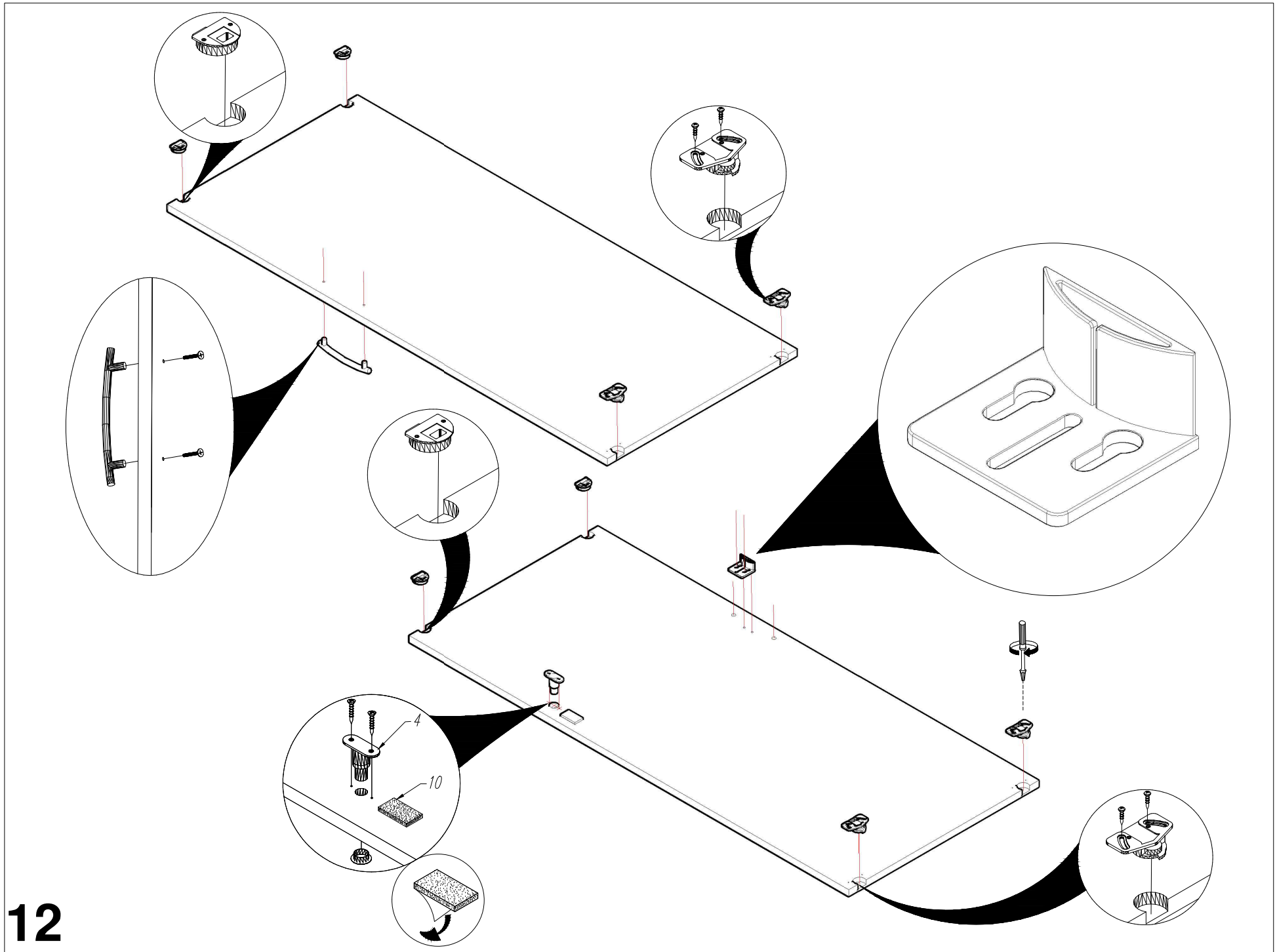


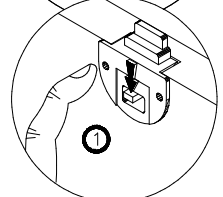
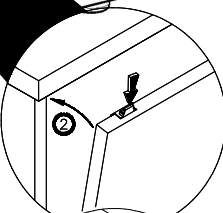
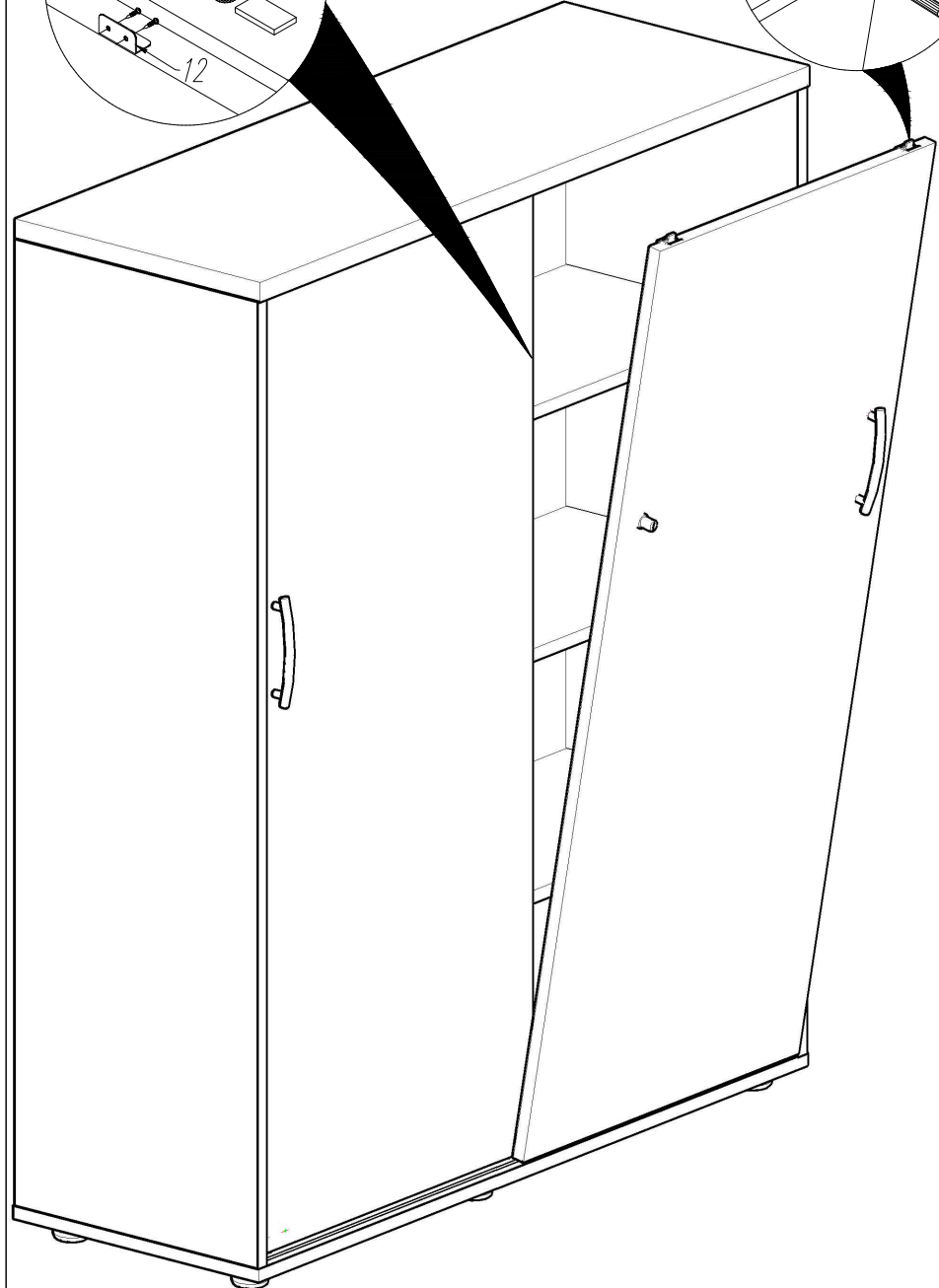
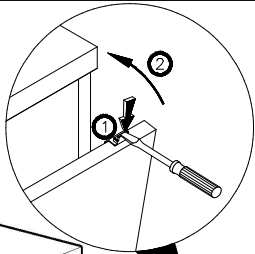
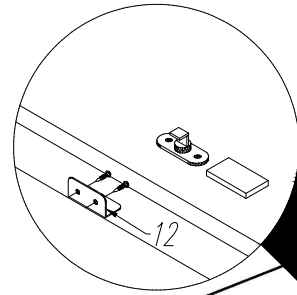
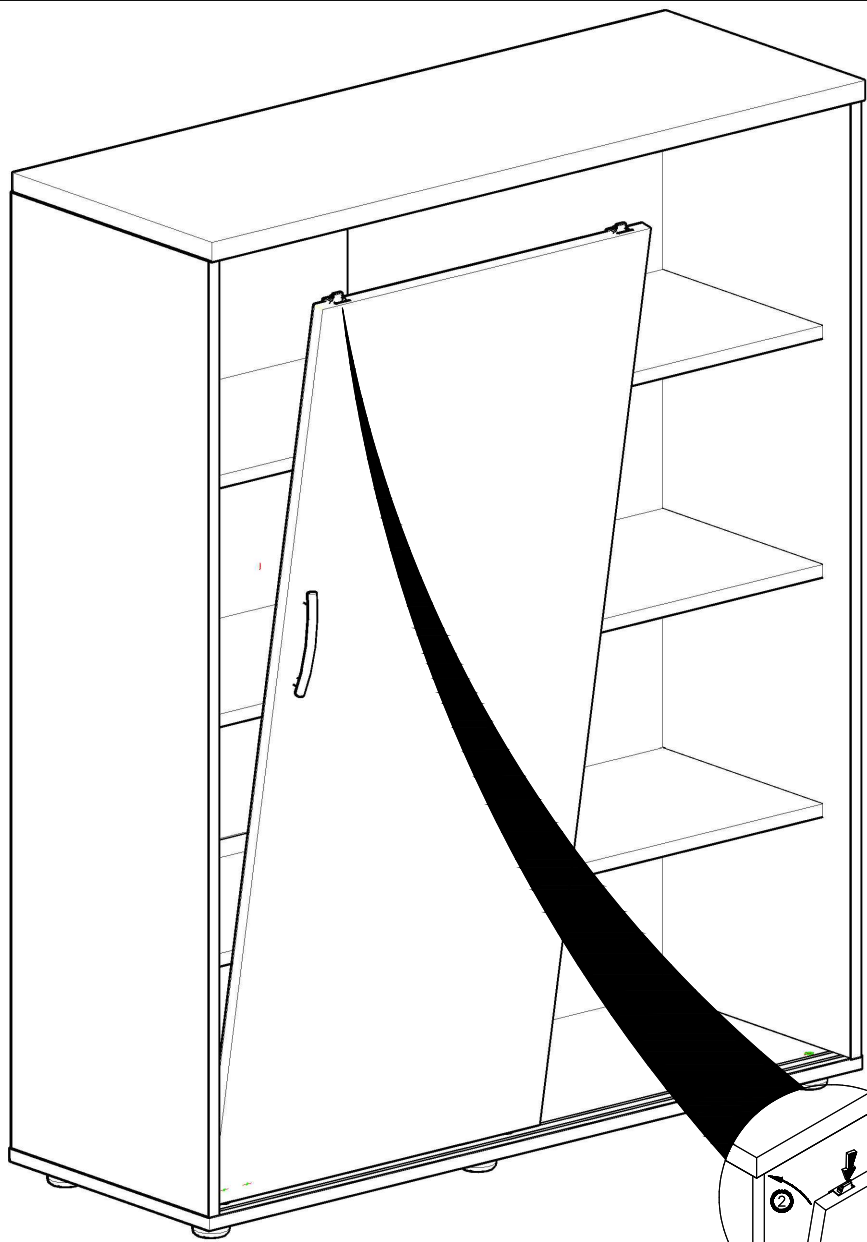




10







13