

belt

grey

: product card



bejot:

belt

design:
Wojciech Wolczyk

models



BE 103 grey



BE 102 grey



BE 1T3 grey



BE 1T2 grey

plastic elements

- grey
high-quality PA plastic



grey
(Pantone 420C)

backrest for BE 103 & BE 102

- RH - Rhythm mesh
100% flame-retardant polyester
available in 6 colours
possibility to upholster the seat



RH821



RH651



RH367



RH065



RH076



RH099

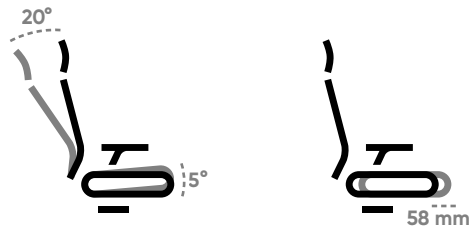
mechanisms for grey models



● mechanism BG+X

Synchro and self-weighting (the spring force adjusts automatically to the weight of the seated person).

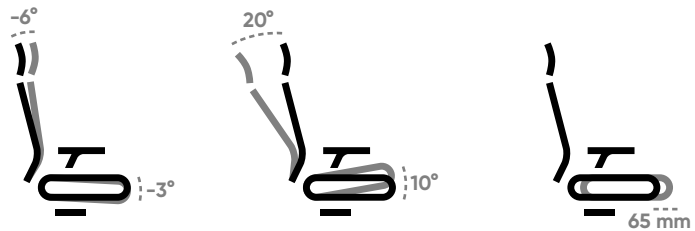
- backrest fixed in 4 positions
- range of recline angle (backrest: 20°, seat: 5°)
- seat depth adjustment (range: 58mm)
- cover colour: grey



○ mechanism LG+X

Synchro.

- manual adjustment of the synchronous tilt of the backrest and the seat
- backrest fixed in 4 positions
- backrest tilt adjustment (range: -6° to 20°, seat: -3° to 10°)
- tilt angle adjustment in working position (seat: -3°, backrest: -6°)
- seat depth adjustment (range: 65mm)
- cover colour: grey



bases for grey models



● 19

5-star base grey nylon reinforced with glass fiber
Ø700

armrests for grey models



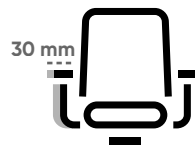
o **P63G**

grey PA construction, soft PU armpad
 height adjustment 80 mm
 front-to-back adjustment 50 mm
 rotation left/right 16°



o **P64G**

grey PA construction, soft PU armpad
 height adjustment 80 mm
 front-to-back adjustment 50 mm
 rotation left/right 16°
 adjustable width 30mm

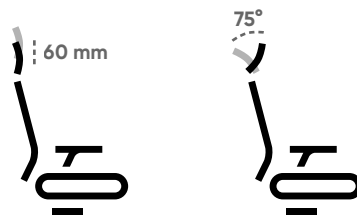


headrest for BE 103 & BE 1T3



Adjustable up and down and at an angled.

- for grey models - upholstered with anthracite leather
- o upholstered with fabric (except for Nice)



castors for grey models



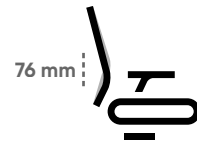
• **DEMADG**

soft castors for hard floors
 with auto-brake
 Ø65
 grey

lumbar support



- **BLS**
for models BE 102 & BE 103
adjustable height 76 mm



- **BLS**
for models BE 1T2 & BE 1T3
adjustable height 76 mm

pneumatic pad in seat



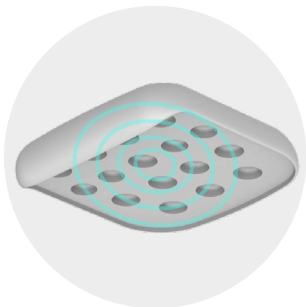
- **AIR**
Allows dynamic seating that eliminates pressure points. As the user moves, the air inside moves, providing the user with support where needed.



The insert has a self-inflating function.

To inflate the insert, simply hold down the button for a moment. To deflate, sit back in your chair and hold the button down again.

decompression cones in the seat foam

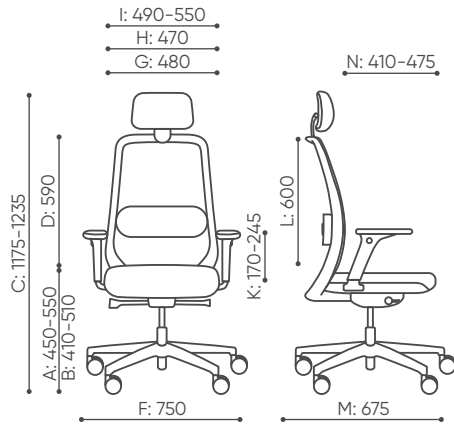


- Precisely defined cone depressions in the foam improve the comfort of the seated person by increasing the flexibility and softness of the seat.

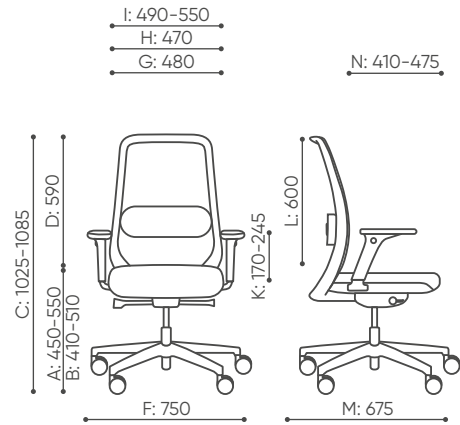
technical data

Dimensions are given in millimetres. Dimensions are indicative and may vary depending on the depending on the product configuration selected.

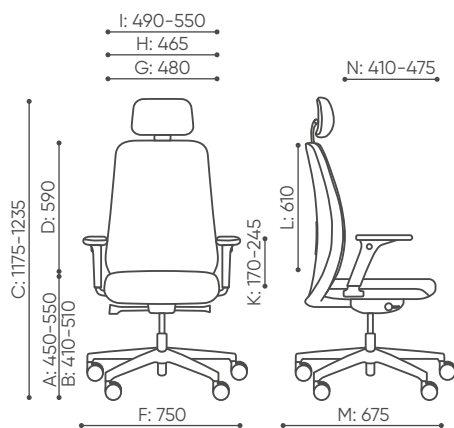
BE 103



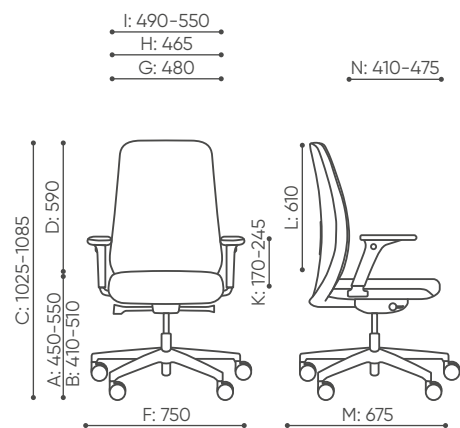
BE 102



BE 1T3



BE 1T2



fabric options for individual products

1 price group – bond, fenno, keimo, sawana

2 price group – alpa, charles, cura, era SD, pastel, roccia, valencia

3 price group – ally, blazer, easy, oceanic, rhythm, silvertex, synergy, valencia SD

4 price group – heritage SD, oceanic SD, remix SD, skóra

5 price group – steelcut trio SD

belt

black

: product card



bejot:

belt

design:
Wojciech Wolczyk

models



BE 103 black



BE 102 black



BE 1T3 black



BE 1T2 black

8

bejot:

plastic elements

• black

High-quality PA material which is 70% recycled
Certified by the Global Recycled Standard



black

backrest for BE 103 & BE 102

• RH - Rhythm mesh

100% flame-retardant polyester
available in 6 colours
possibility to upholster the seat



RH821



RH651



RH367



RH065



RH076



RH099

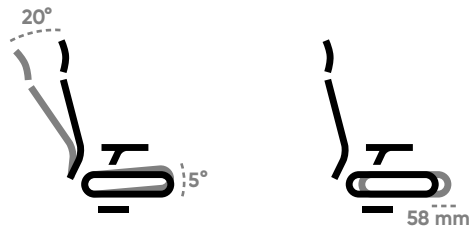
mechanisms for black models



● mechanism B+X

Synchro and self-weighting (the spring force adjusts automatically to the weight of the seated person).

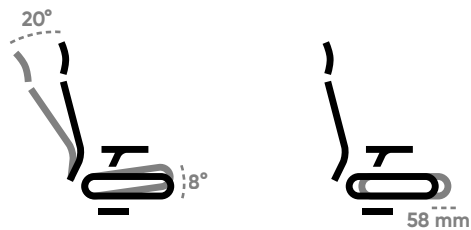
- backrest fixed in 4 positions
- range of recline angle (backrest: 20°, seat: 5°)
- seat depth adjustment (range: 58mm)



○ mechanism FS+X

Fast-synchro.

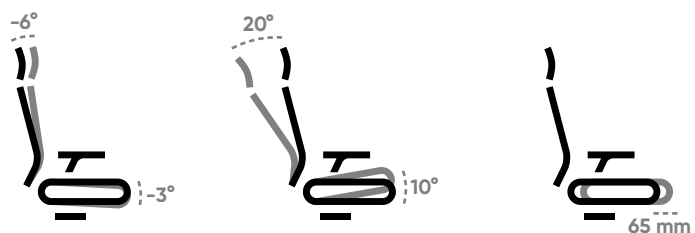
- manual adjustment of the synchronous tilt of the backrest and the seat
- backrest fixed in 4 positions
- range of recline angle (backrest: 20°, seat: 8°)
- seat depth adjustment (range: 58mm)



○ mechanism LB+X

Synchro.

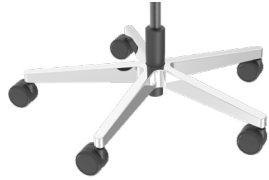
- manual adjustment of the synchronous tilt of the backrest and the seat
- backrest fixed in 4 positions
- backrest tilt adjustment (range: -6° to 20°, seat: -3° to 10°)
- tilt angle adjustment in working position (seat: -3°, backrest: -6°)
- seat depth adjustment (range: 65mm)



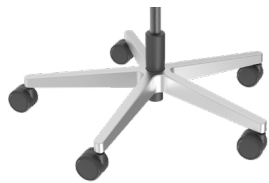
bases for black models



• **18**
Nylon 5-star black base reinforced with glass fiber
Ø700



○ **22**
Polished aluminium 5-star base (chrome effect)
Ø690



○ **23**
Powder coated aluminium 5-star base
Ø690

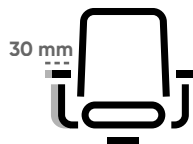
armrests for black models



○ **P63B**
black PA construction, soft PU armpad
height adjustment 80 mm
front-to-back adjustment 50 mm
rotation left/right 16°



○ **P64B**
black PA construction, soft PU armpad
height adjustment 80 mm
front-to-back adjustment 50 mm
rotation left/right 16°
adjustable width 30mm



castors for black models



○ **DEMA**
hard castors for soft floors
with auto-brake
Ø65



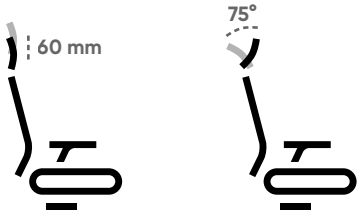
○ **DEMAD**
soft castors for hard floors
with auto-brake
Ø65

headrest for BE 103 & BE 1T3



Adjustable up and down and at an angled.

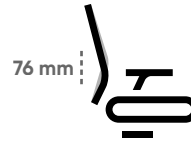
- for black models - upholstered with black leather
- upholstered with fabric (except for Nice)



lumbar support



- **BLS**
for models BE 102 & BE 103
adjustable height 76 mm



- **BLS**
for models BE 1T2 & BE 1T3
adjustable height 76 mm

pneumatic pad in seat



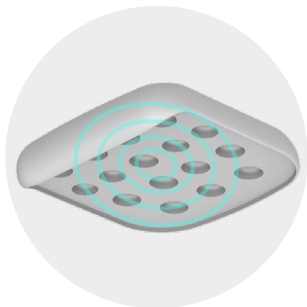
- **AIR**
Allows dynamic seating that eliminates pressure points. As the user moves, the air inside moves, providing the user with support where needed.



The insert has a self-inflating function.

To inflate the insert, simply hold down the button for a moment. To deflate, sit back in your chair and hold the button down again.

decompression cones in the seat foam

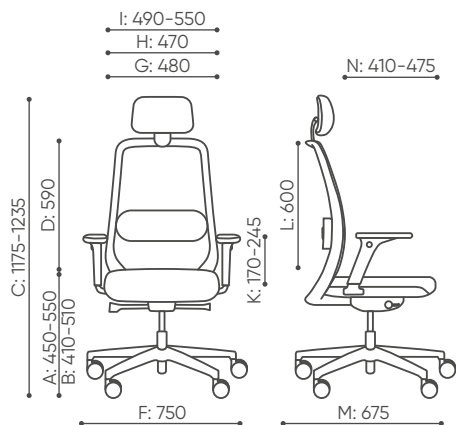


- Precisely defined cone depressions in the foam improve the comfort of the seated person by increasing the flexibility and softness of the seat.

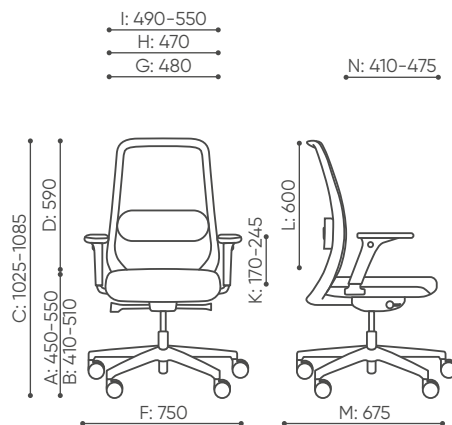
technical data

Dimensions are given in millimetres. Dimensions are indicative and may vary depending on the depending on the product configuration selected.

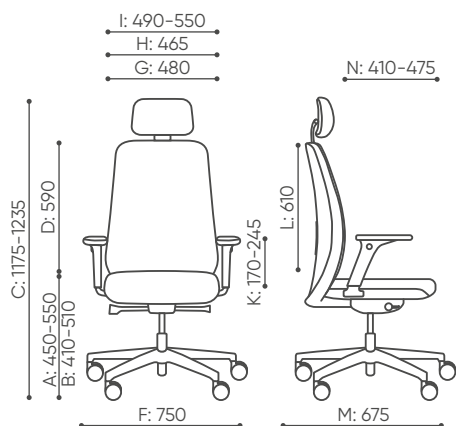
BE 103



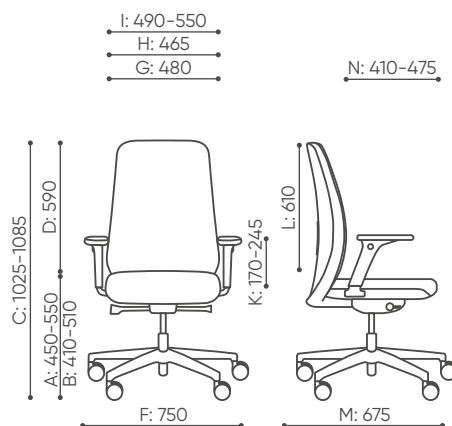
BE 102



BE 1T3



BE 1T2



fabric options for individual products

1 price group – bond, fenno, keimo, sawana

2 price group – alpa, charles, cura, era SD, pastel, roccia, valencia

3 price group – ally, blazer, easy, oceanic, rhythm, silvertex, synergy, valencia SD

4 price group – heritage SD, oceanic SD, remix SD, skóra

5 price group – steelcut trio SD

Bejot sp. z o. o.

ul. Wybickiego 2A, Manieczki, 63-112 Brodnica n. Poznań, POLAND

www.bejot.eu

edition 05/2024